

NOTE: Spout and valves install through 1-1/4" diameter holes

Note: Measurements are subject to change. No responsibility is assumed for use of superseded or voided pages.

O'NEIL
RUPPEL

TECHNICAL SPECIFICATIONS: Widespread Lavatory Set

SERIES: Essentials - Brendon

ITEM CODE: ORR238.005.10

FEATURES:

All brass construction. Flexible hoses designed to be installed on 8" to 16" centers. Includes pop-up style drain assembly.

20pt cross handle with top screw attachment.

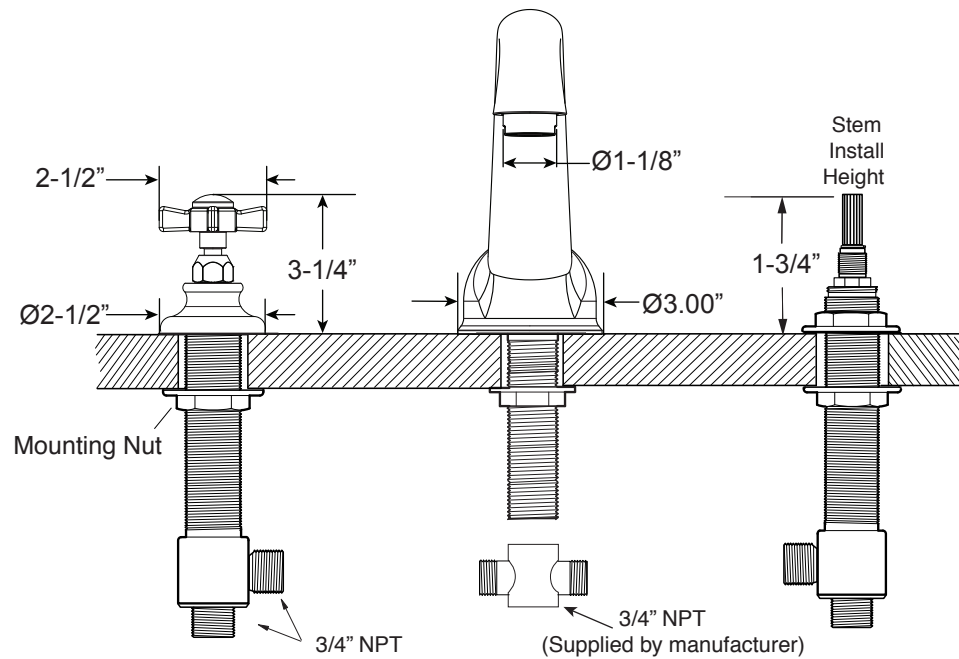
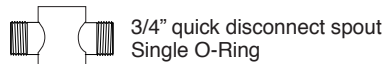
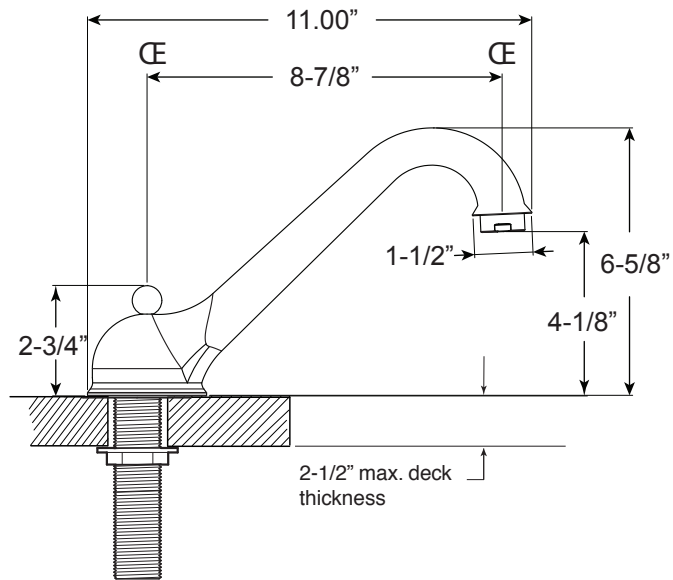
1/4-turn ceramic disc valve cartridge.

Available in all finishes.

Warranty varies according to finish selection.

Standard aerator is limited to 1.2 gpm.

Certified to meet or exceed the following codes and standards: ASME A112.18.1/CSAB 125.1-2012



NOTE: Spout and valves install through 1-1/4" diameter holes. Plumber to provide 3/4" supply lines to valves.

Note: Measurements are subject to change. No responsibility is assumed for use of superseded or voided pages.

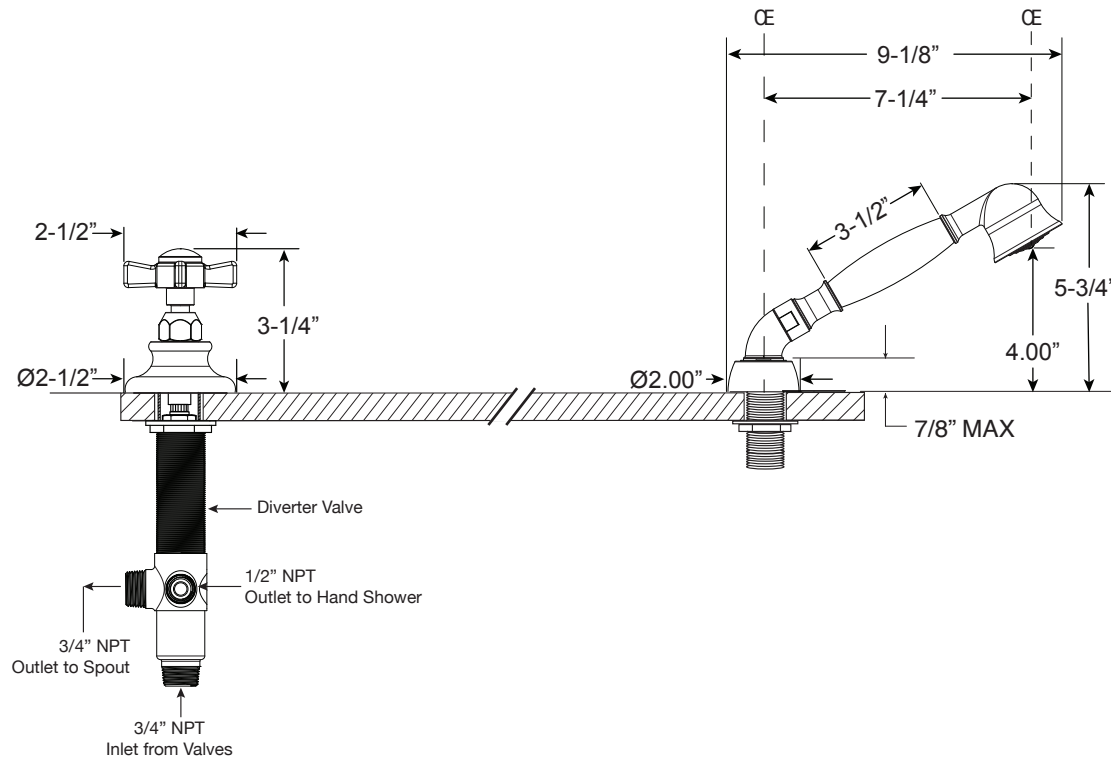
O'NEIL
RUPPEL

TECHNICAL SPECIFICATIONS: Roman Tub Set

SERIES: Essentials - Brendon **ITEM CODE: ORR238.005.14**

FEATURES:

- All brass construction.
- 20pt cross handle with top screw attachment.
- 3/4" valve bodies with 1/4-turn ceramic disc valve cartridge.
- Available in all finishes.
- Warranty varies according to finish selection.
- Certified to meet or exceed the following codes and standards: ASME A112.18.1/CSAB 125.1-2012



Note: Measurements are subject to change. No responsibility is assumed for use of superseded or voided pages.

O'NEIL
RUPPEL

TECHNICAL SPECIFICATIONS: Handshower with 3-Port Deck Diverter & Trim Only

SERIES: Essentials - Brendon

ITEM CODE: ORR200.005.93

FEATURES:

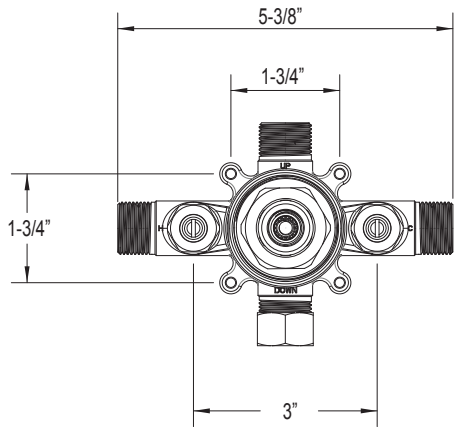
All brass construction.

20pt cross handle with top screw attachment.

Available in all finishes.

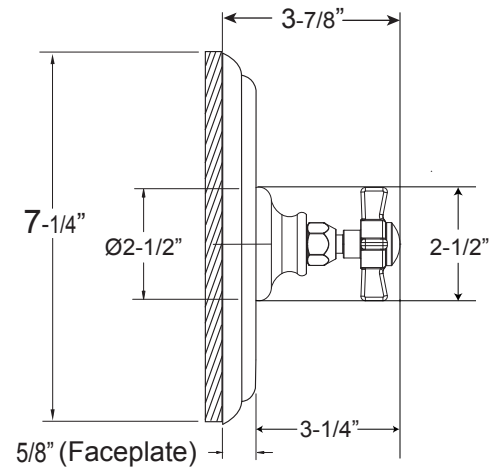
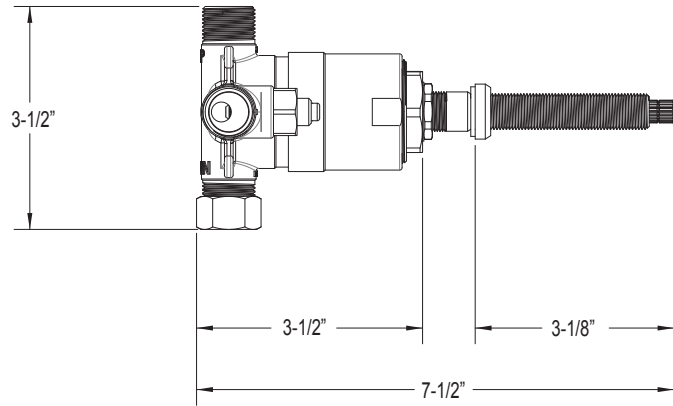
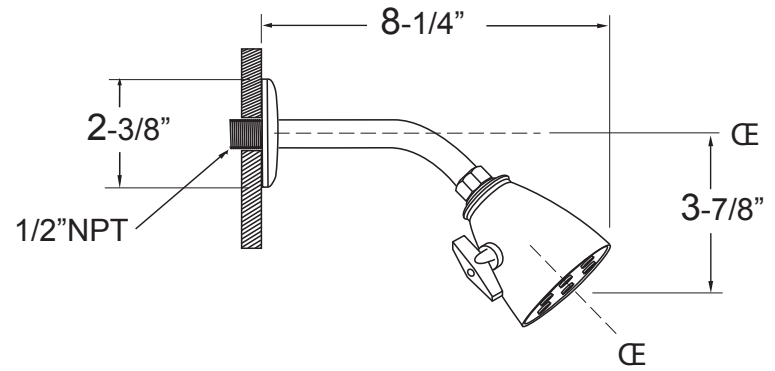
Warranty varies according to finish selection.

Certified to meet or exceed the following codes and standards: ASME A112.18.1/CSAB 125.1-2012



*Note: Stem and all-thread tube will be sent with handle trim.

FRONT VIEW



Note: Measurements are subject to change. No responsibility is assumed for use of superseded or voided pages.

SIDE VIEW

O'NEIL
RUPPEL

TECHINICAL SPECIFICATIONS: Pressure Balance Shower Set

SERIES: Essentials - Brendon **ITEM CODE: ORR200.005.64**

FEATURES:

All brass construction.

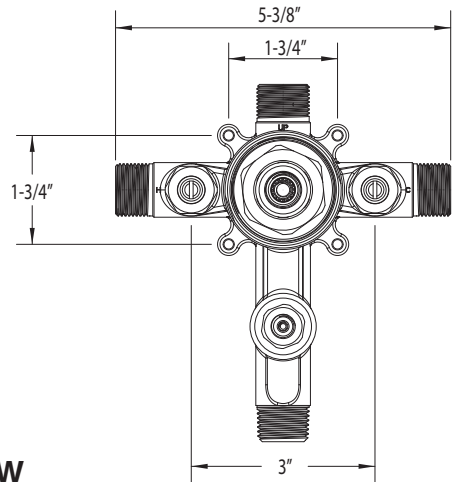
Valve cartridge: 18.30.865

Adjustable hot limit safety stop.

Reversible cartridge.

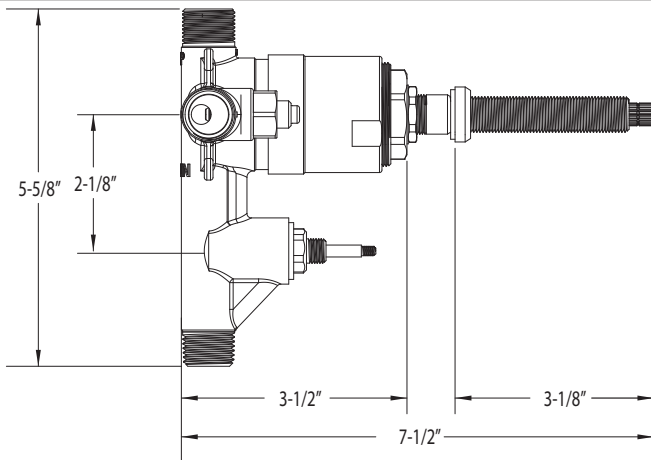
5.6 GPM at 45 PSI.

Certified to meet or exceed the following codes and standards: ASME A112.18.1/CSAB 125.1-2012

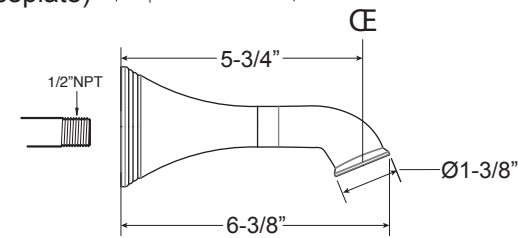
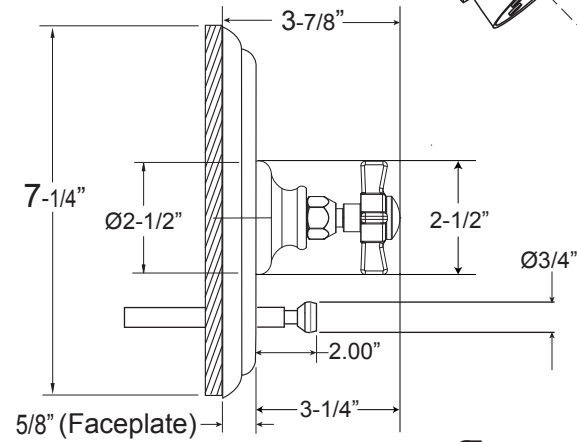
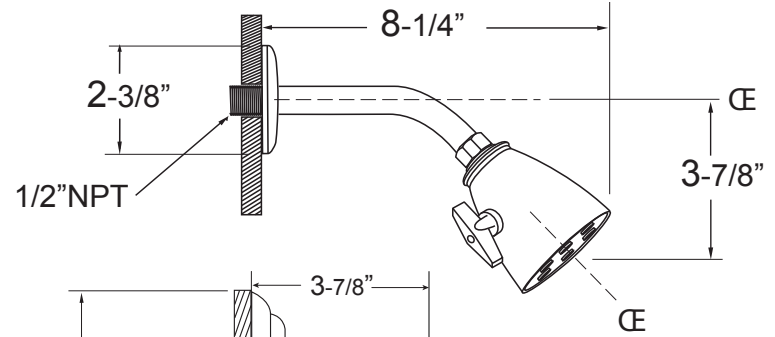


**Note: Stem and all-thread tube will be sent with handle trim.*

FRONT VIEW



SIDE VIEW



Note: Measurements are subject to change. No responsibility is assumed for use of superseded or voided pages.

TECHINICAL SPECIFICATIONS: Pressure Balance Tub & Shower Set

SERIES: Essentials - Brendon | **ITEM CODE: ORR238.005.68**

FEATURES:

All brass construction.

Valve cartridge: 18.30.865

Diverter assembly: 18.30.873

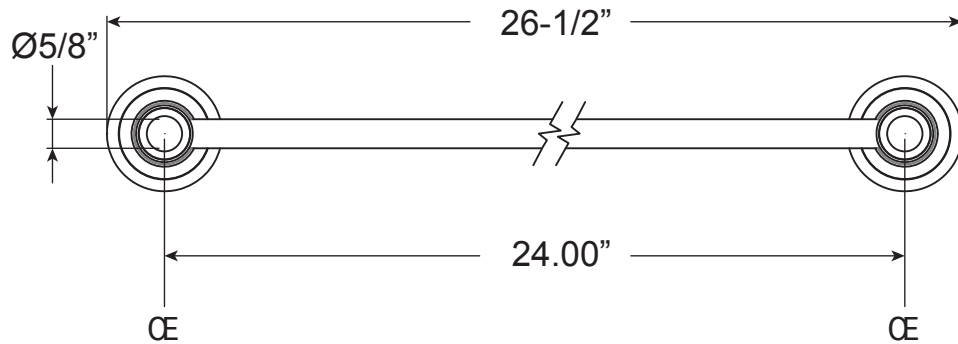
Adjustable hot limit safety stop.

Reversible cartridge.

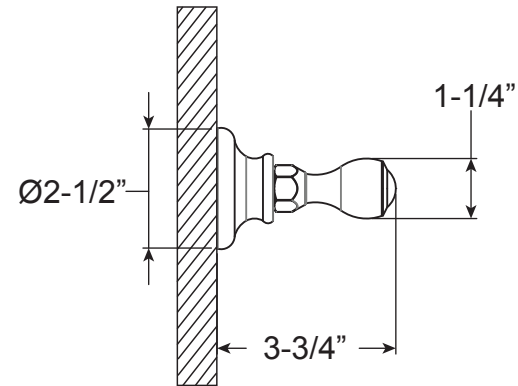
5.6 GPM at 45 PSI.

Certified to meet or exceed the following codes and standards: ASME A112.18.1/CSAB 125.1-2012

O'NEIL
RUPPEL



FRONT VIEW

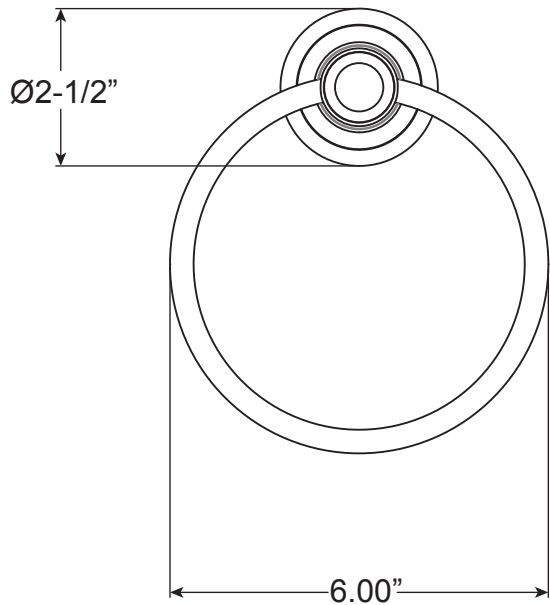


SIDE VIEW

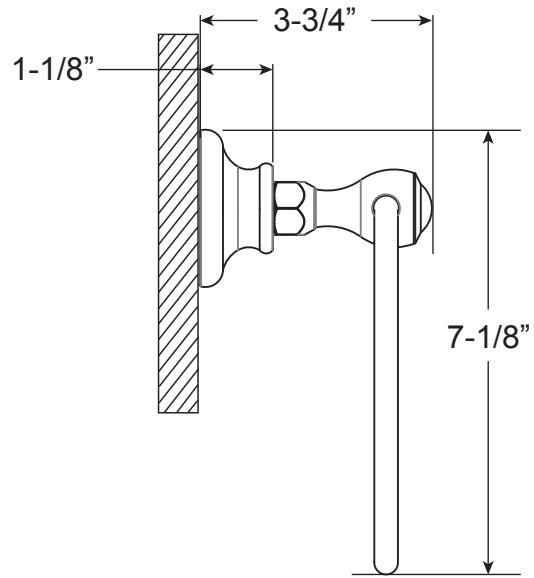
Note: Measurements are subject to change. No responsibility is assumed for use of superseded or voided pages.



TECHNICAL SPECIFICATIONS: Accessories - 24" Towel Bar		
SERIES: Essentials - Brendon	ITEM CODE: ORR238.TB	
FEATURES:		
All brass construction.		
Available in all finishes.		
Warranty varies according to finish selection.		
Mounting brackets and screws are supplied.		



FRONT VIEW

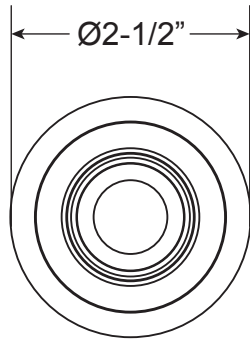


SIDE VIEW

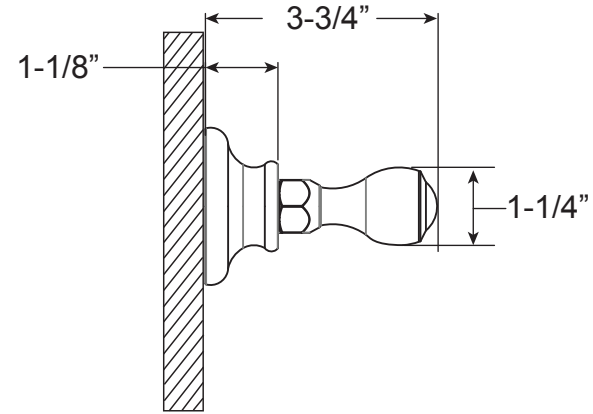
Note: Measurements are subject to change. No responsibility is assumed for use of superseded or voided pages.



TECHNICAL SPECIFICATIONS: Accessories - Towel Ring		
SERIES: Essentials - Brendon	ITEM CODE: ORR238.TR	
FEATURES:		
All brass construction.		
Available in all finishes.		
Warranty varies according to finish selection.		
Mounting brackets and screws are supplied.		



FRONT VIEW

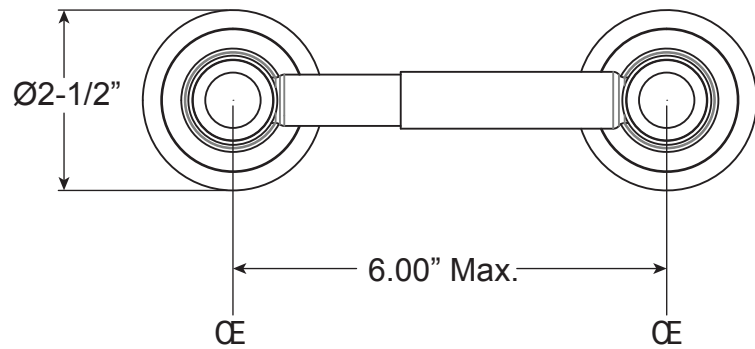


SIDE VIEW

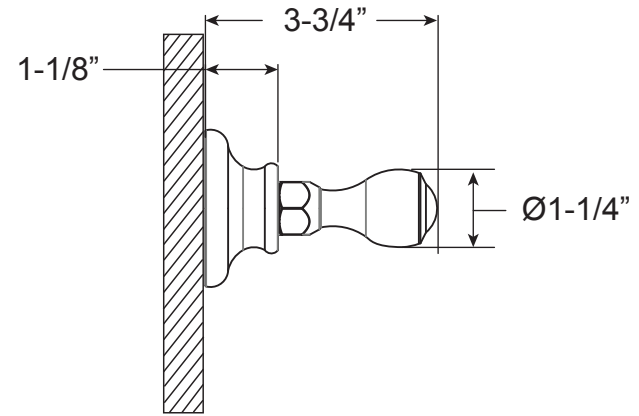
Note: Measurements are subject to change. No responsibility is assumed for use of superseded or voided pages.



TECHNICAL SPECIFICATIONS: Accessories - Robe Hook	
SERIES: Essentials - Brendon	ITEM CODE: ORR238.RH
FEATURES:	
All brass construction.	
Available in all finishes.	
Warranty varies according to finish selection.	
Mounting brackets and screws are supplied.	



FRONT VIEW



SIDE VIEW

Note: Measurements are subject to change. No responsibility is assumed for use of superseded or voided pages.



TECHNICAL SPECIFICATIONS: Accessories - Toilet Paper Holder	
SERIES: Essentials - Brendon	ITEM CODE: ORR238.PH
FEATURES:	
All brass construction.	
Available in all finishes.	
Warranty varies according to finish selection.	
Mounting brackets and screws are supplied.	