

NOTE: Spout and valves install through 1-1/4" diameter holes

Note: Measurements are subject to change. No responsibility is assumed for use of superseded or voided pages.

O'NEIL
RUPPEL

TECHINICAL SPECIFICATIONS: Widespread Lavatory Set

SERIES: Colin

ITEM CODE: ORR38.165.03

FEATURES:

All brass construction. Flexible hoses designed to be installed on 8" to 16" centers. Includes pop-up style drain assembly.

Cross handle with setscrew attachment.

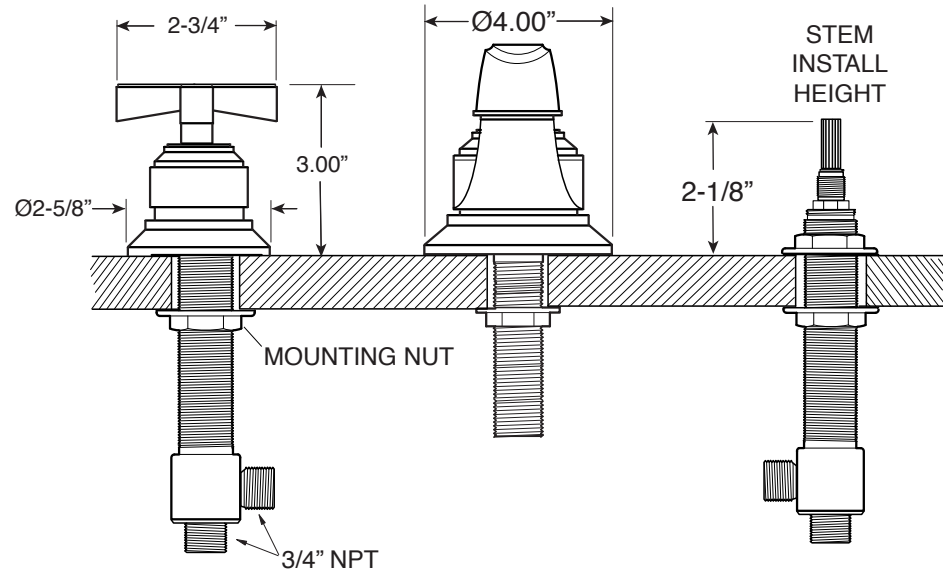
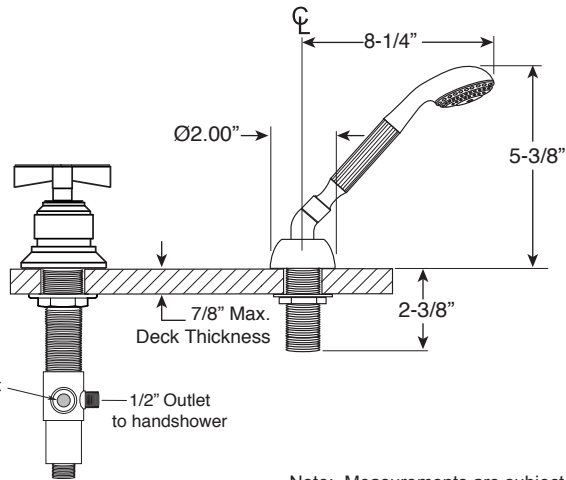
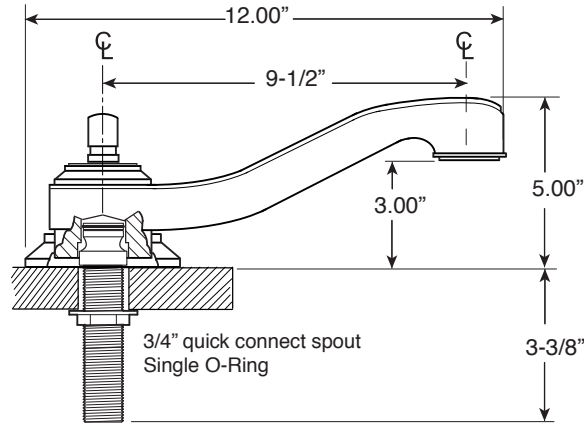
1/4-turn ceramic disc valve cartridge.

Available in all finishes.

Warranty varies according to finish selection.

Standard aerator is limited to 1.2 gpm.

Certified to meet or exceed the following codes and standards: ASME A112.18.1/CSAB 125.1-2012



Note: Spout and valves install through 1-1/4" diameter holes.
Plumber to provide 3/4" supply lines to valves.

Note: Measurements are subject to change. No responsibility is assumed for use of superseded or voided pages.

O'NEIL
RUPPEL

TECHNICAL SPECIFICATIONS: Roman Tub Set with Handshower

SERIES: Colin

ITEM CODE: ORR38.365.03

FEATURES:

All brass construction.

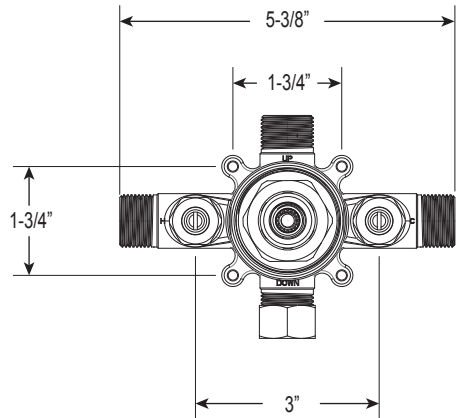
Cross handle with set screw attachment.

3/4" valve body with 1/4-turn ceramic disc cartridge.

Available in all finishes.

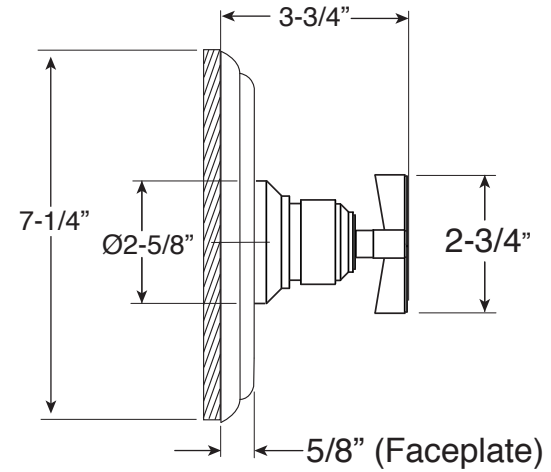
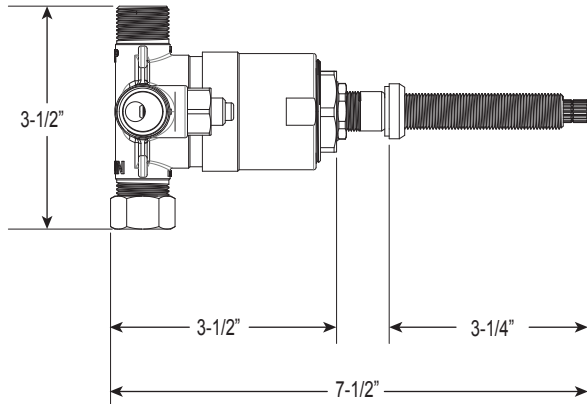
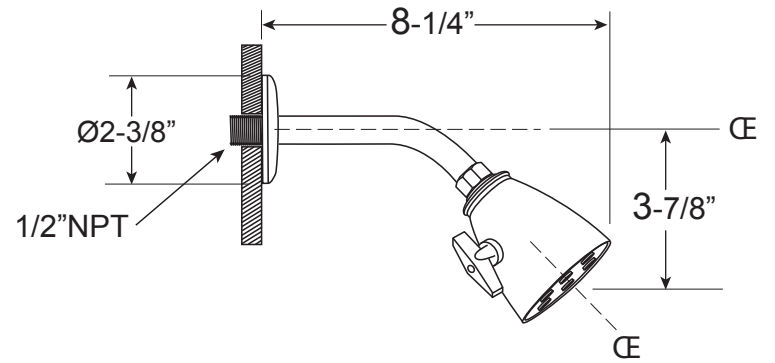
Warranty varies according to finish selection.

Certified to meet or exceed the following codes and standards: ASME A112.18.1/CSAB 125.1-2012



*Note: Stem and all-thread tube will be sent with handle trim.

FRONT VIEW



SIDE VIEW

Note: Measurements are subject to change. No responsibility is assumed for use of superseded or voided pages.

O'NEIL
RUPPEL

TECHINICAL SPECIFICATIONS: Pressure Balance Shower Set

SERIES: Colin

ITEM CODE: ORR65.003.64

FEATURES:

All brass construction.

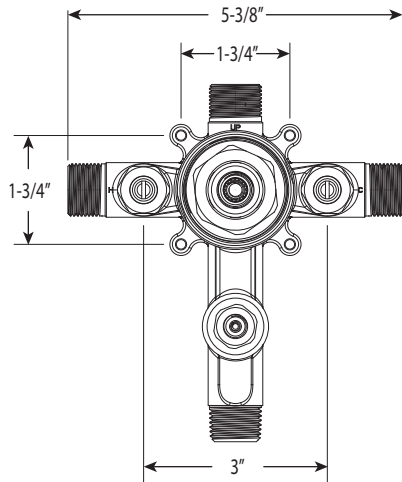
Valve cartridge: 18.30.865

Adjustable hot limit safety stop.

Reversible cartridge.

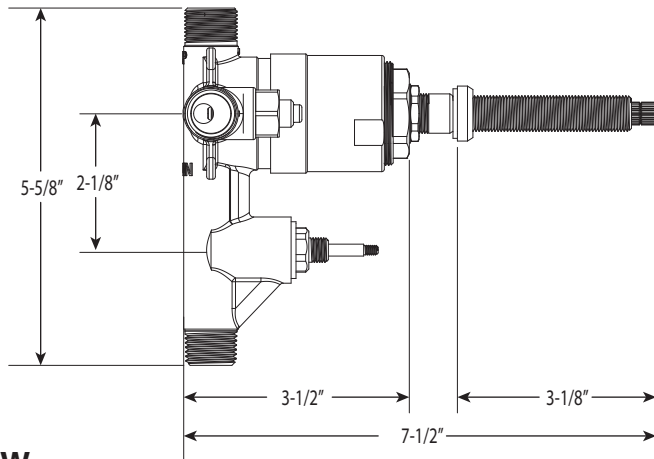
5.6 GPM at 45 PSI.

Certified to meet or exceed the following codes and standards: ASME A112.18.1/CSAB 125.1-2012



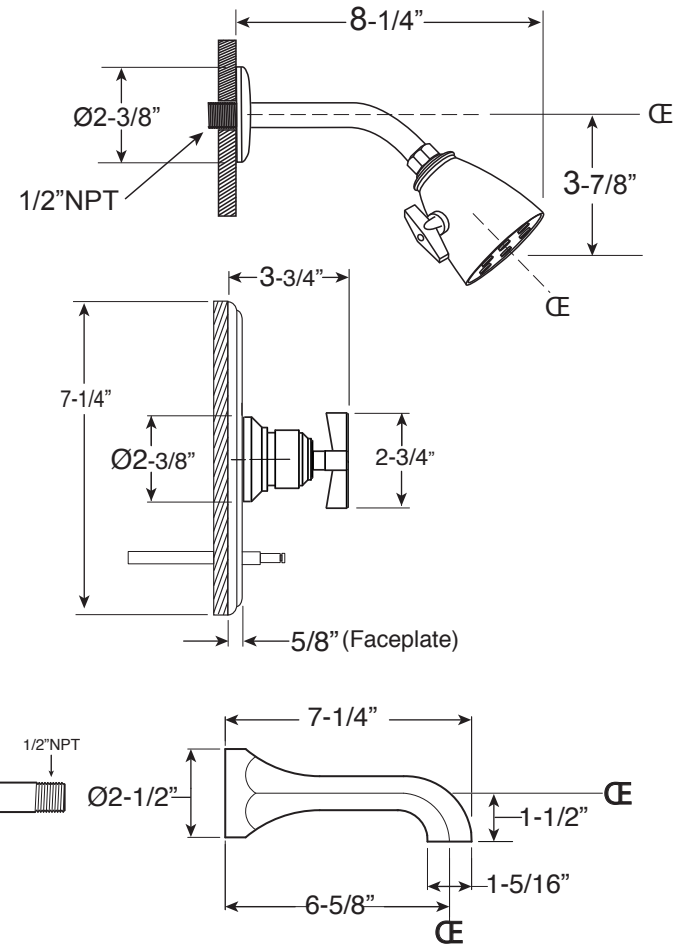
**Note: Stem and all-thread tube will be sent with handle trim.*

FRONT VIEW



SIDE VIEW

Note: Measurements are subject to change. No responsibility is assumed for use of superseded or voided pages.



O'NEIL
RUPPEL

TECHINICAL SPECIFICATIONS: Pressure Balance Tub and Shower Set

SERIES: Colin

ITEM CODE: ORR65.003.68

FEATURES:

All brass construction.

Valve cartridge: 18.30.865

Diverter assembly: 18.30.873

Adjustable hot limit safety stop.

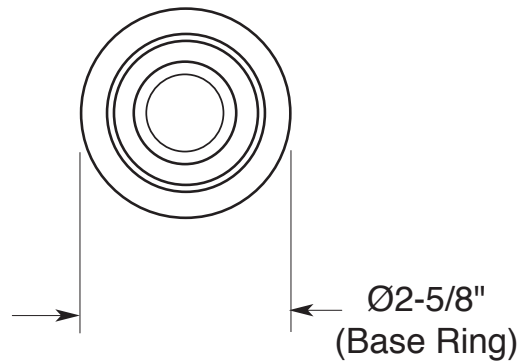
Reversible cartridge.

5.6 GPM at 45 PSI.

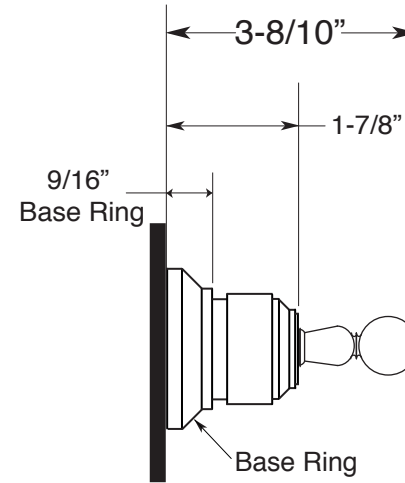
Certified to meet or exceed the following codes and standards: ASME A112.18.1/CSAB 125.1-2012

O'NEIL RUPPEL Luxury Bath Furniture
And Bespoke Faucetry

oneilruppel.com | 800-275-1822



FRONT VIEW

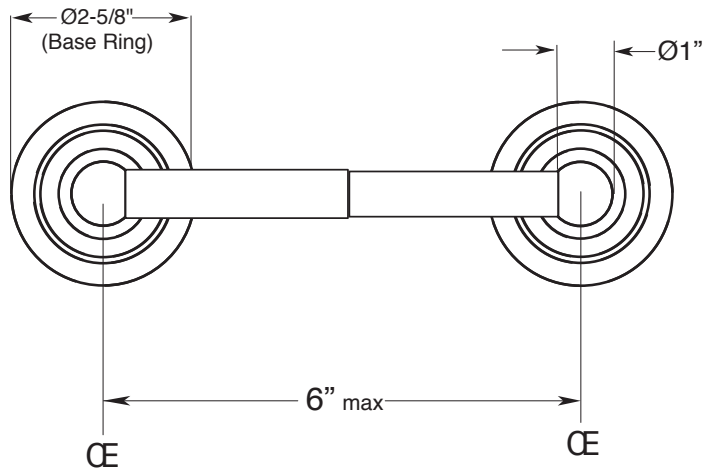


SIDE VIEW

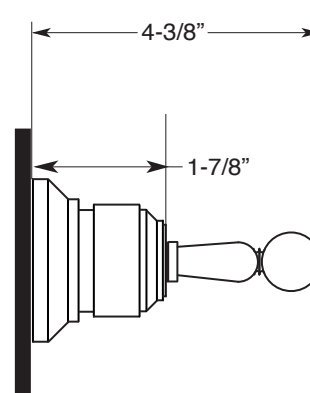
Note: Measurements are subject to change. No responsibility is assumed for use of superseded or voided pages.



TECHNICAL SPECIFICATIONS: Accessories - Robe Hook		
SERIES: Colin	ITEM CODE: ORR02.RH00	
FEATURES:		
All brass construction.		
Available in all finishes.		
Warranty varies according to finish selection.		
Mounting bracket and screws are supplied.		



FRONT VIEW

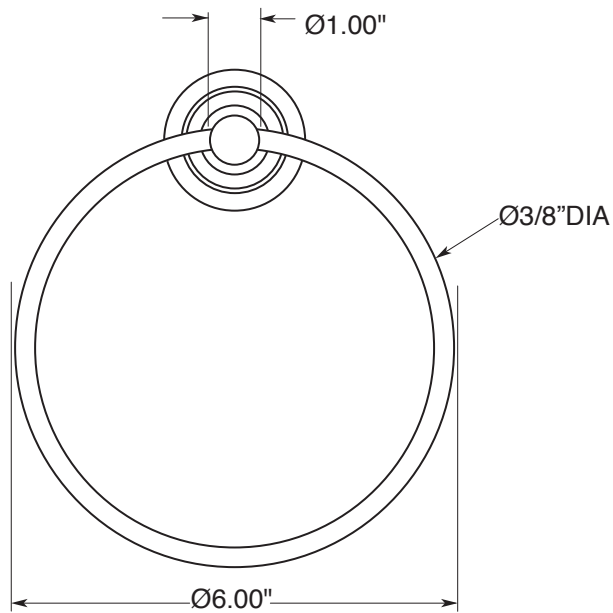


SIDE VIEW

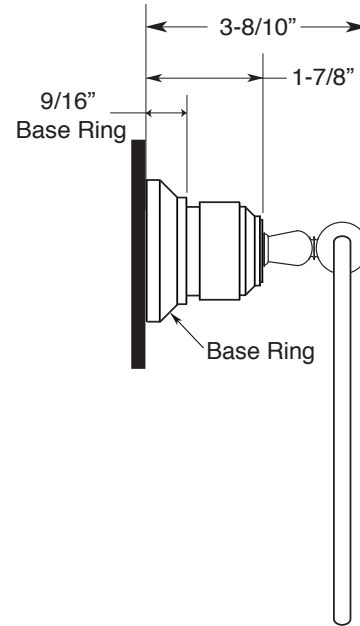
Note: Measurements are subject to change. No responsibility is assumed for use of superseded or voided pages.



TECHNICAL SPECIFICATIONS: Accessories - Paper Holder	
SERIES: Colin	ITEM CODE: ORR02.PH00
FEATURES:	
All brass construction.	
Available in all finishes.	
Warranty varies according to finish selection.	
Mounting bracket and screws are supplied.	



FRONT VIEW

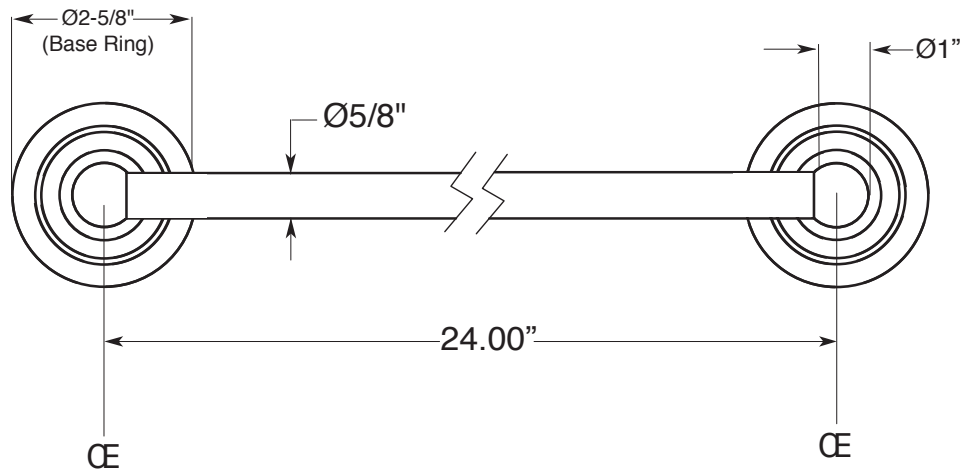


SIDE VIEW

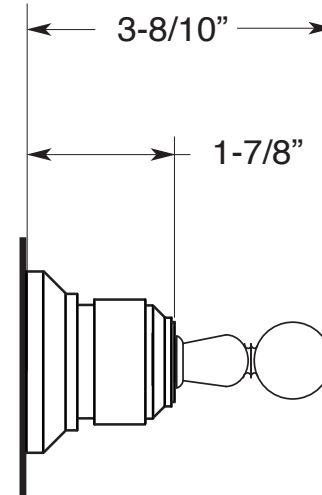
Note: Measurements are subject to change. No responsibility is assumed for use of superseded or voided pages.



TECHNICAL SPECIFICATIONS: Accessories - Towel Ring		
SERIES: Colin	ITEM CODE: ORR02.TR00	
FEATURES:		
All brass construction.		
Available in all finishes.		
Warranty varies according to finish selection.		
Mounting bracket and screws are supplied.		



FRONT VIEW

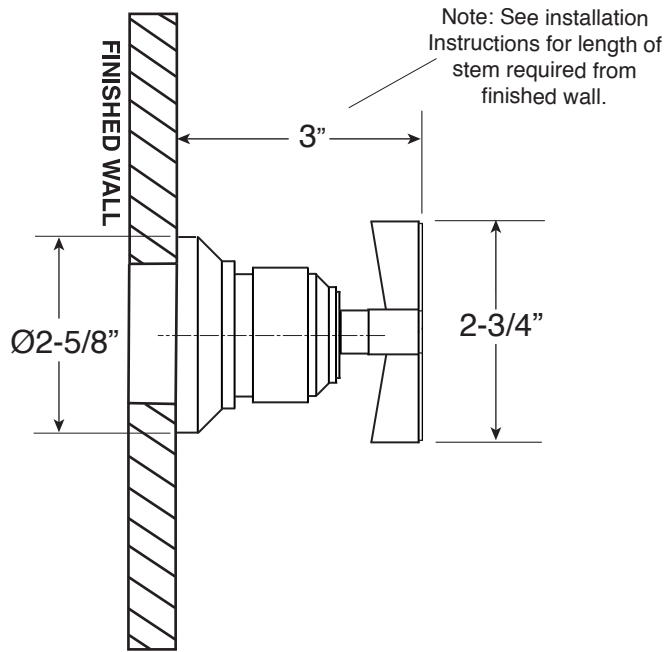


SIDE VIEW

Note: Measurements are subject to change. No responsibility is assumed for use of superseded or voided pages.



TECHNICAL SPECIFICATIONS: Accessories - 24" Towel Bar		
SERIES: Colin	ITEM CODE: ORR02.TB24	
FEATURES:		
All brass construction.		
Available in all finishes.		
Warranty varies according to finish selection.		
Mounting bracket and screws are supplied.		



For this 16pt handle and trim,
use with the following valves:

R30.317 - 1/2" Volume Control Valve Only

Replacement Cartridge: R30.036

R30.347 - 3/4" Volume Control Valve Only

Replacement Cartridge: R30.020

Note: Measurements are subject to change. No responsibility is assumed for use of superseded or voided pages.

O'NEIL
RUPPEL

TECHINICAL SPECIFICATIONS: Volume Control Trim

SERIES: Colin

ITEM CODE: OR00.003.HT

FEATURES:

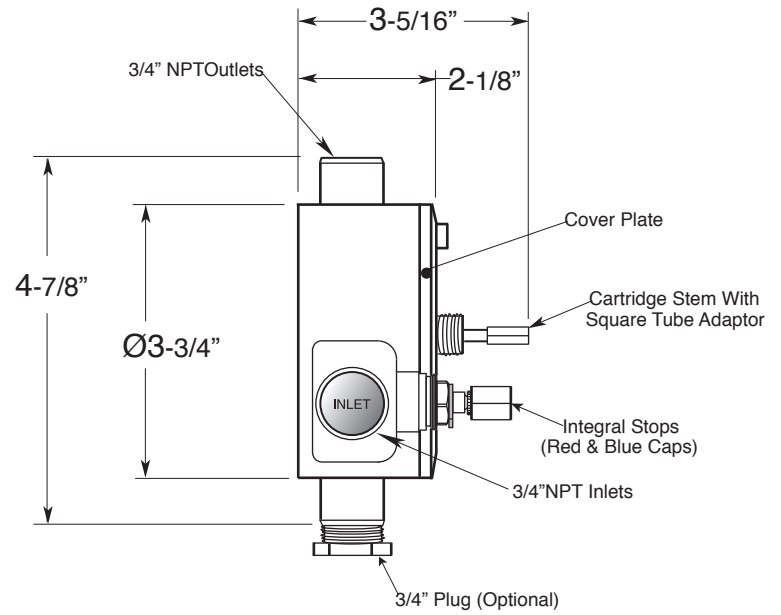
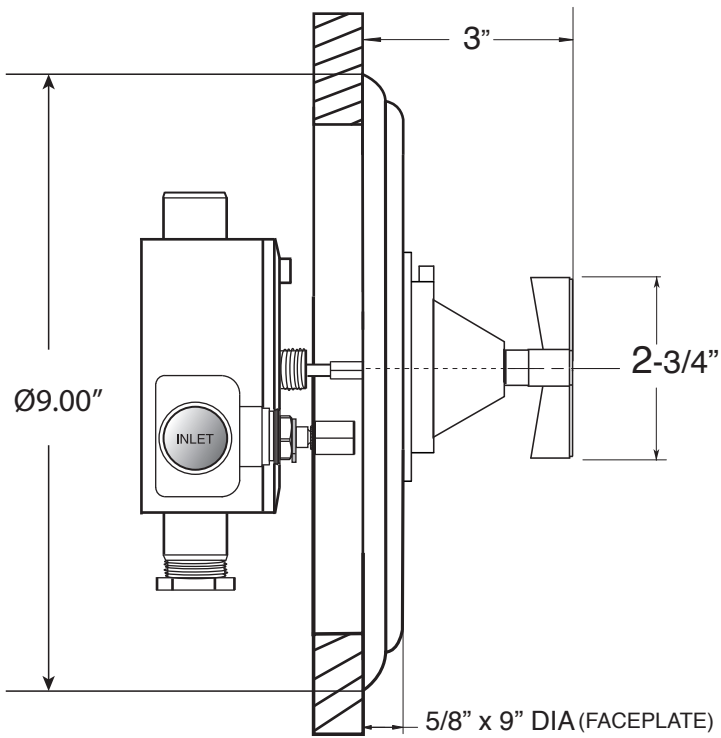
All brass construction.

Solid brass style handles.

Available in all finishes.

Warranty varies according to finish selection.

Certified to meet or exceed the following codes and standards: ASME A112.18.1/CSAB 125.1-2012



Note: Measurements are subject to change. No responsibility is assumed for use of superseded or voided pages.

O'NEIL
RUPPEL

TECHINICAL SPECIFICATIONS: 3/4" Thermostatic Set with Integral Stops

SERIES: Colin

ITEM CODE: OR03.003.68T

FEATURES:

Cast brass construction.

Thermostatic valve cartridge with cover plate: 18.30.147

Thermostatic reverse cartridge with cover plate: 18.30.161

14.28 GPM @ 56PSI top exit & 11.10 GPM bottom exit.

Certified to meet or exceed the following codes and standards: ASME A112.18.1/CSAB 125.1-2012

NOTE: Separate shut-offs required to operate system.