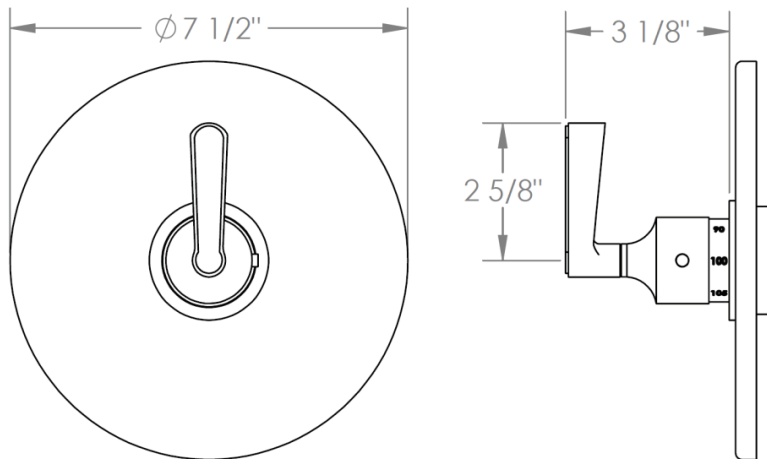


Colin



ORW-29-T10-TR14

TRIM KIT ONLY FOR THERMOSTATIC VALVE
REQUIRES ORW-SS-TH1000 OR SS-TH3000 CONCEALED ROUGH



Meets the applicable requirements of ASME A112.18.1-2005/CSA B125.1-05, entitled "Plumbing Supply Fittings"