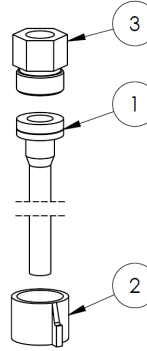


#	PART NAME
1	MLS2-RSR (SUPPLY RISER)
2	502-COMP-NUT
3	SS-502 Valve

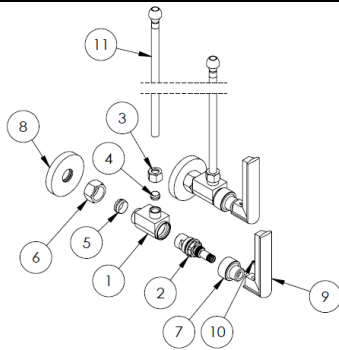
To Toilet



#	PART NAME
1	MTS1-RSR (SUPPLY RISER)
2*	COUPLING NUT
3*	FILLER VALVE

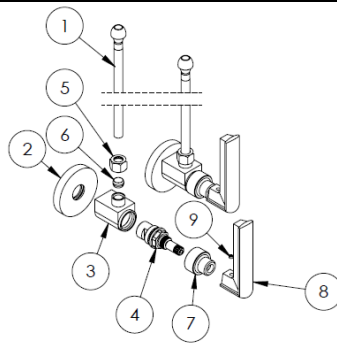
*Not provided by Watermark, they come with the toilet fitting.

To Angle Stop



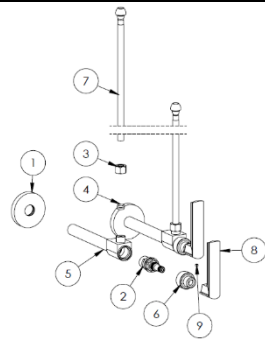
1/2" IPS Inlet,
i.e. MAS 1 and MAS5 in all series

#	Description	Qty
1	1/2" IPS Supply Valve Body	2
2	CRT502-H	2
3	Supply Riser Compression Nut	2
4	Supply Riser Compression Ferrule	2
5	1/2" Compression Ferrule	2
6	1/2" Compression Nut	2
7	Decorative Cartridge Cover	2
8	Decorative Flange	2
9	Brut Lever Handle	2
10	Set Screw (#8-32x1/8")	2
11	Copper Supply Riser	2



1/2" IPS, " Compression
i.e. MAS 2 and MAS6 in all series

#	Description	Qty
1	Copper Supply Riser	2
2	Decorative Flange	2
3	1/2" IPS Supply Valve Body	2
4	CRT502-H	2
5	Supply Riser Compression Nut	2
6	Supply Riser Compression Ferrule	2
7	Decorative Cartridge Cover	2
8	Brut Lever Handle	2
9	Set Screw (#8-32x1/8")	2



1/2" Sweat, " Compression
i.e. MAS 3 and MAS7 in all series

#	Description	Qty
1	Decorative Flange	2
2	CRT502-H	2
3	Supply Riser Compression Nut	2
4	Supply Riser Compression Ferrule	2
5	1/2" Sweat Supply Valve Body	2
6	Decorative Cartridge Cover	2
7	Copper Supply Riser	2
8	Brut Lever Handle	2
9	Set Screw (#8-32x1/8")	2

IMPORTANT INSTALLATION INFORMATION

- USE TEFLON TAPE OR PIPE SEALANT FOR THREADED CONNECTIONS
- DO NOT USE PLUMBER'S PUTTY ON ANY OF THE BRASS COMPONENTS
This will cause the finish to tarnish and void the warranty. A non-corrosive Alkoxy Silicone is recommended.
- DURING SWEATING OF LINES DO NOT OVERHEAT CASTING
Overheating may cause damage to internal mechanism
- COPPER ADAPTORS MAY BE REQUIRED TO COMPLETE YOUR INSTALLATION

For technical support, please call 718-257-2800