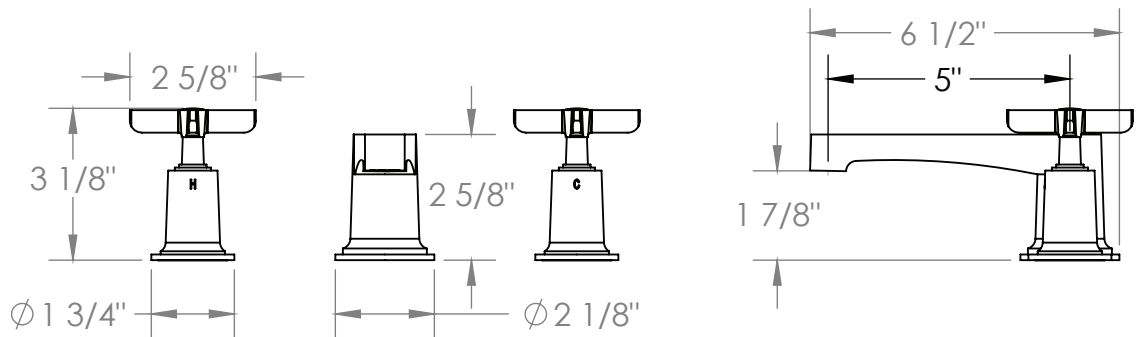


Crosby

ORW-115-2-MZ5.1K



DECK MOUNTED 3 HOLE LAVATORY SET
 INCLUDES ORW-MPU5 SOFT TOUCH DRAIN
 FLOW RATE: 1.2 GPM



Meets the applicable requirements of ASME A112.18.1-2005/CSA B125.1-05, entitled "Plumbing Supply Fittings"