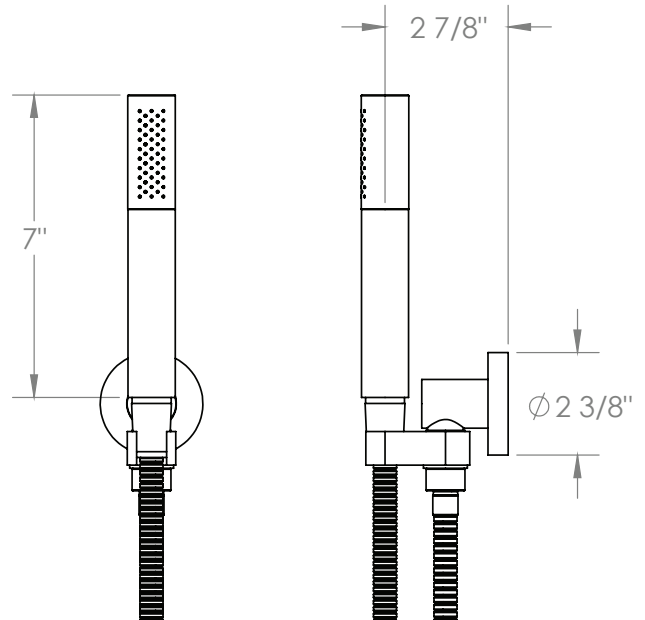


Crosby

ORW-115-HSHK3



WALL MOUNTED HAND SHOWER SET
FLOW RATE: 1.75 GPM



Meets the applicable requirements of ASME A112.18.1-2005/CSA B125.1-05, entitled "Plumbing Supply Fittings"