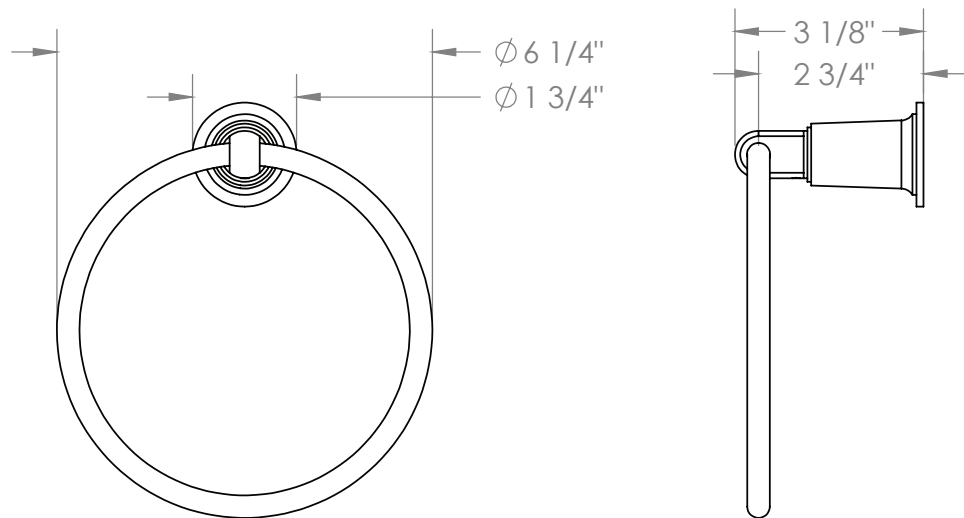


# Crosby

ORW-115-0.3

O|R

## WALL MOUNTED PAPER HOLDER



Meets the applicable requirements of ASME A112.18.1-2005/CSA B125.1-05, entitled "Plumbing Supply Fittings"