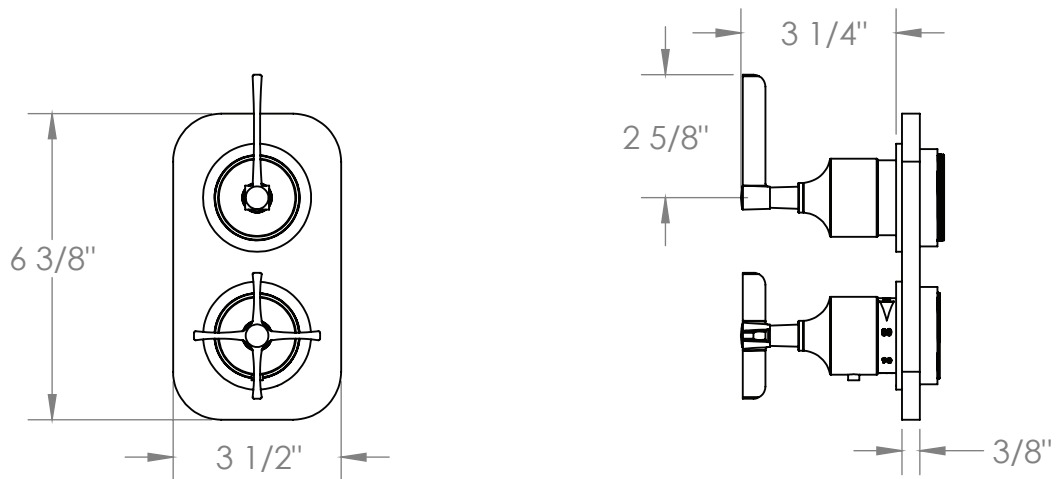
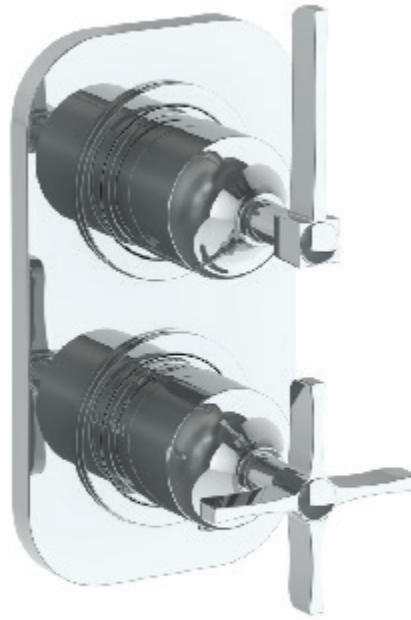


Crosby

ORW-115-T25-MZ4.1K

WALL MOUNTED THERMOSTATIC SHOWER TRIM WITH BUILT-IN CONTROL
FOR USE WITH SS-TH60 OR SS-TH70 CONCEALED ROUGH



Meets the applicable requirements of ASME A112.18.1-2005/CSA B125.1-05, entitled "Plumbing Supply Fittings"