

# Morgan

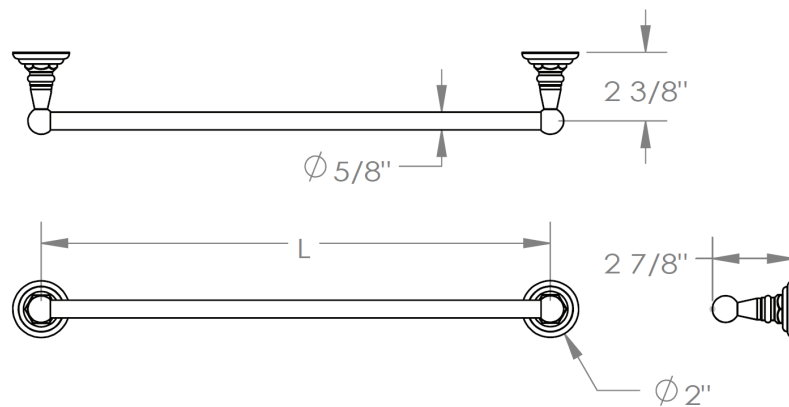


ORW-MG-0.1\_

## WALL MOUNTED TOWEL BAR



MODEL NO.	DIMENSION OF L
ORW-MG-0.1	18"
ORW-MG-0.1A	24"
ORW-MG-0.1B	30"



Meets the applicable requirements of ASME A112.18.1-2005/CSA B125.1-05, entitled "Plumbing Supply Fittings"