

# Morgan

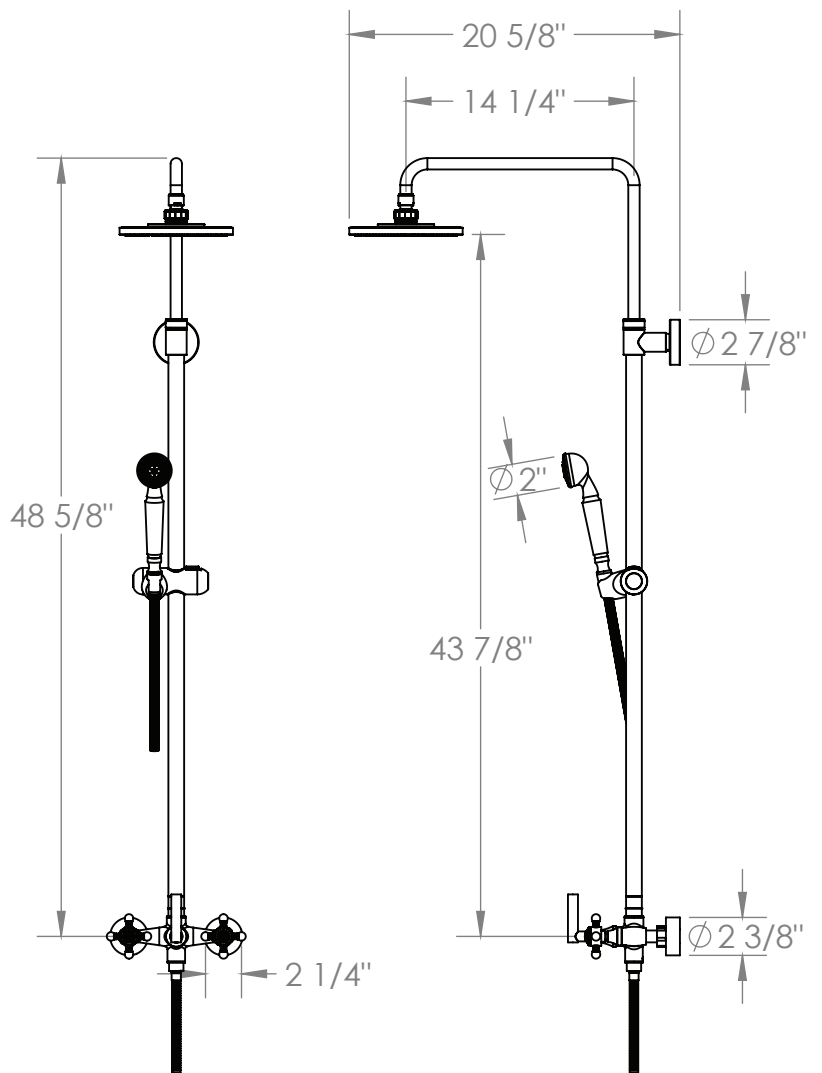
ORW-MG-6.1HS-MR5



WALL MOUNTED EXPOSED SHOWER WITH HAND SHOWER

FLOW RATE: 1.75 GPM

NOTE: SOME BUILDING CODES MAY REQUIRE A REMOTE PRESSURE BALANCE VALVE FOR ANTI-SCALD



Meets the applicable requirements of ASME A112.18.1-2005/CSA B125.1-05, entitled "Plumbing Supply Fittings"