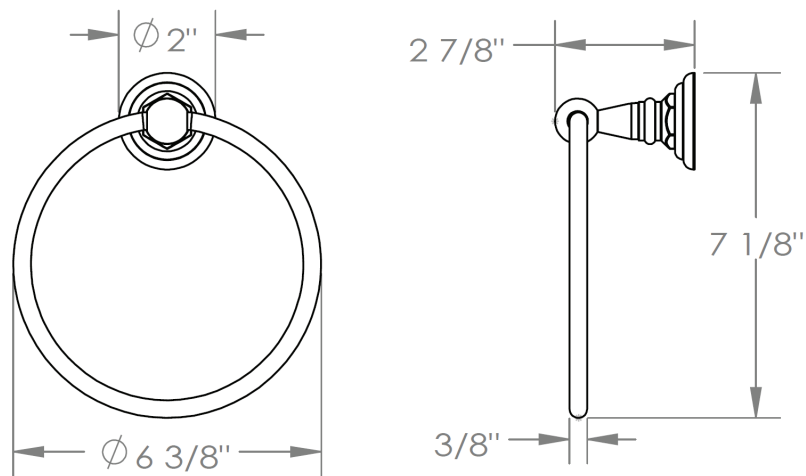


Morgan

ORW-MG-0.3



TOWEL RING



Meets the applicable requirements of ASME A112.18.1-2005/CSA B125.1-05, entitled "Plumbing Supply Fittings"