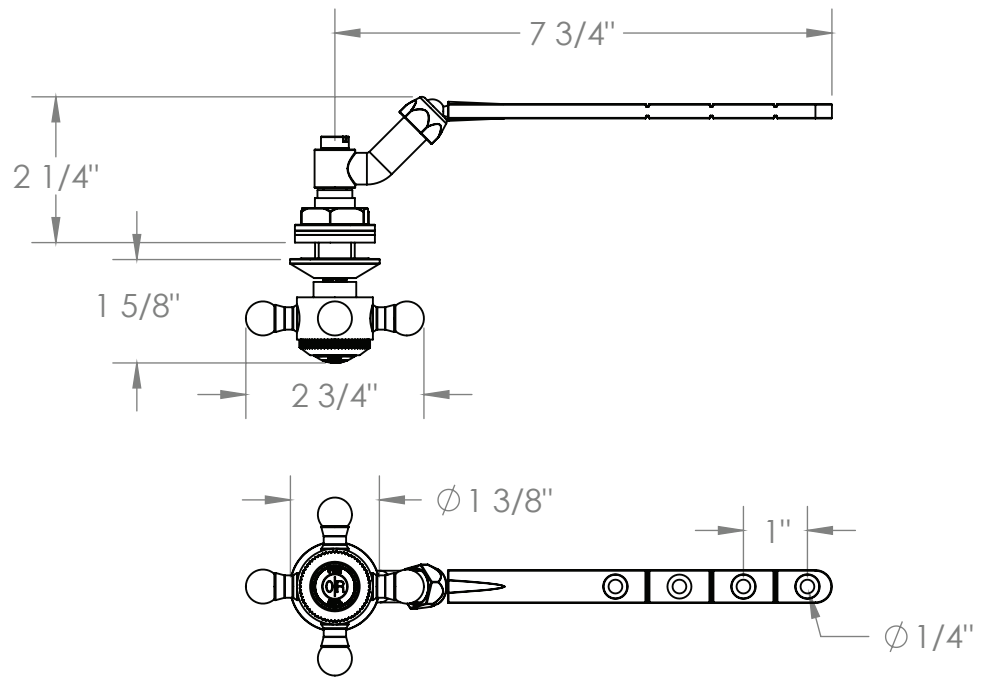


# Morgan

ORW-MG-0.11-MR5



TANK LEVER - FRONT, SIDE OR ANGLE MOUNT  
 NOTE: PLEASE CHECK DIMENSIONS FOR SPECIFIC TANK.



Meets the applicable requirements of ASME A112.18.1-2005/CSA B125.1-05, entitled "Plumbing Supply Fittings"