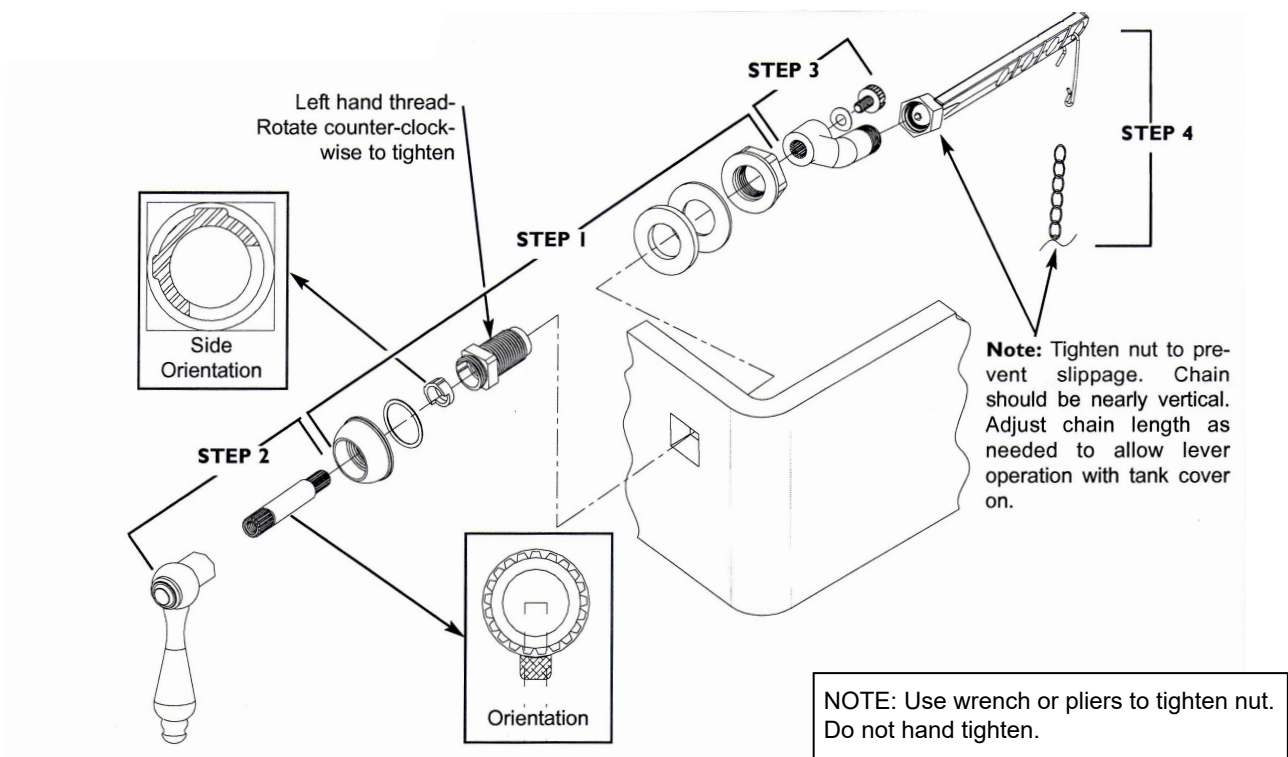


# UNIVERSAL TANK LEVER INSTRUCTIONS

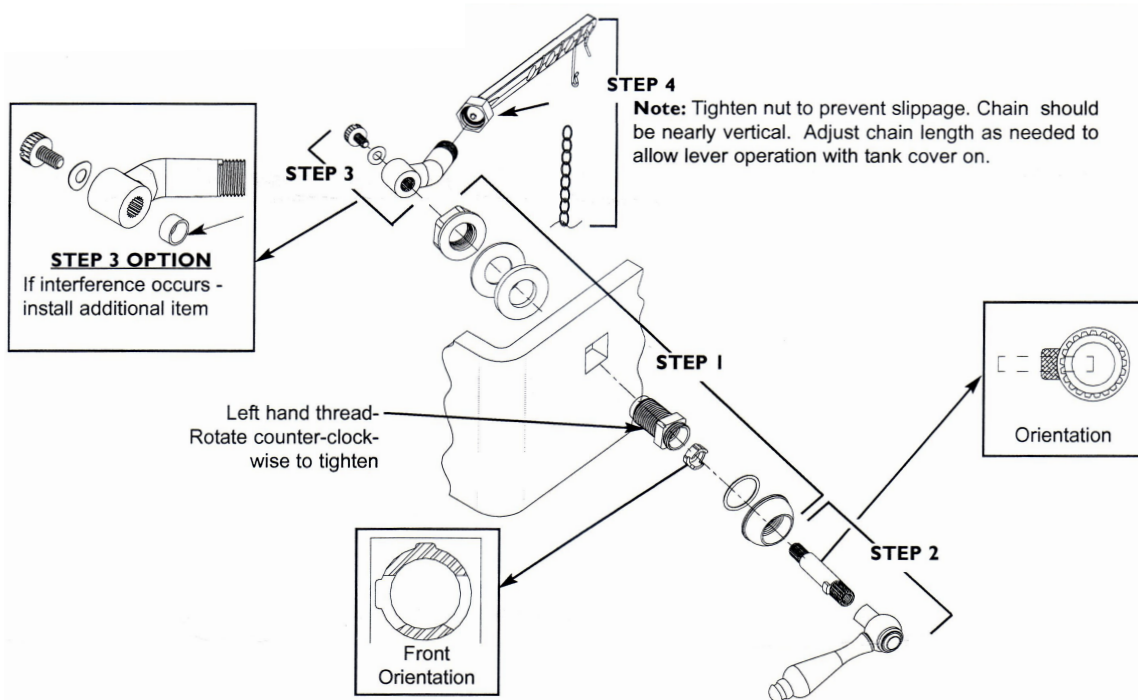
MODEL: XX-0.11-\_\_

FITS MOST TOILETS. CHECK SPECIFICATIONS ON BACK PAGE CAREFULLY BEFORE INSTALLATION.

## SIDE MOUNT INSTALLATION



## FRONT MOUNT INSTALLATION



O'NEIL RUPPEL

BESPOKE FAUCETRY | ONEILRUPPEL.COM

DESIGNS 1/28/2021

# UNIVERSAL TANK LEVER INSTRUCTIONS

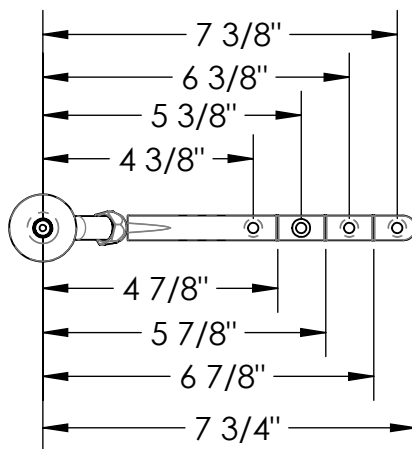
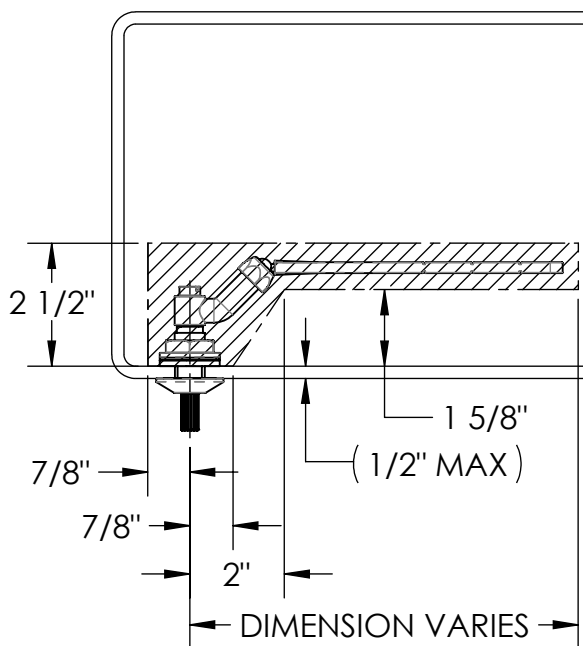
MODEL: XX-0.11-\_\_\_\_  
(TOILET HANDLE NOT SHOWN)

FITS MOST TOILETS. CHECK SPECIFICATIONS BELOW CAREFULLY BEFORE INSTALLATION.

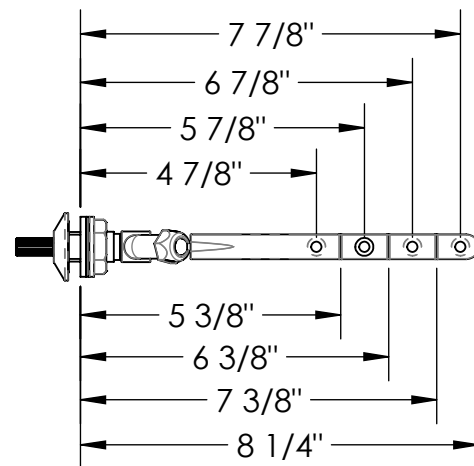
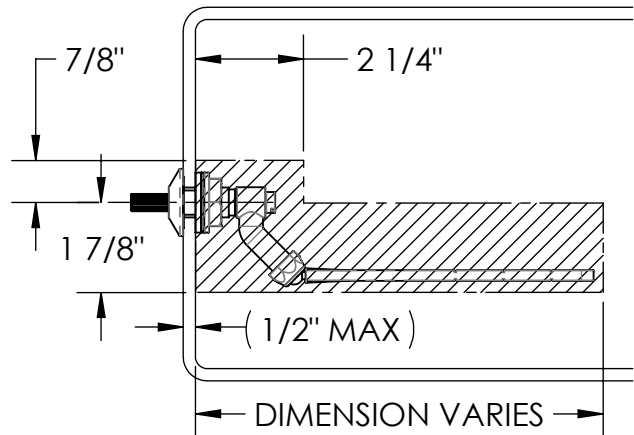
NOTE: NOT TO SCALE

 = MINIMUM CLEARANCE AREA

## FRONT MOUNT CONFIGURATION



## SIDE MOUNT CONFIGURATION



Meets the applicable requirements of ASME A112.18.1-2005/CSA B125.1-05, entitled "Plumbing Supply Fittings"