

SS-TH1000 ½" THERMOSTATIC VALVE
SS-TH2000 ½" THERMOSTATIC VALVE WITH BUILT IN VOLUME CONTROL

SS-TH3000 ¾" THERMOSTATIC VALVE
SS-TH4000 ¾" THERMOSTATIC VALVE WITH BUILT IN VOLUME CONTROL

Features:

- Ability to pre-select water temperature – thus conserving water
- Compensates for water pressure fluctuations preventing scalding
- Safety button at 100°F prevents accidental scalding
- High flow rates allow for multiple shower applications
- Listed by IAPMO, CSA, NSF, and other municipalities

Specifications:

- Operating pressure is 20 PSI to 72 PSI
- When pressure is higher than 72 PSI a pressure reducer (fitted before the valve) is required.
- Temperature range is 50°F to 180°F
- Recommended setting is 29 PSI and 149°F

Note:

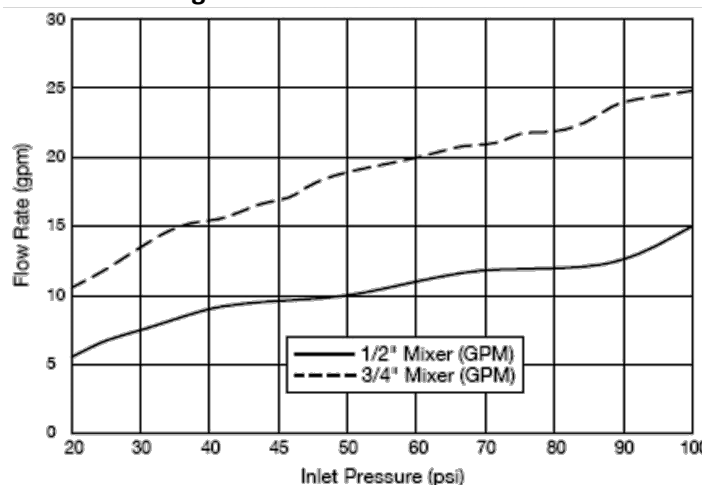
- DO NOT USE PLUMBER'S PUTTY ON ANY OF THE BRASS COMPONENTS
This will cause the finish to tarnish and void the warranty. A non-corrosive Alkoxy Silicone is recommended.
- DURING SWEATING OF LINES DO NOT OVERHEAT CASTING
Overheating may cause damage to internal mechanism and void the manufacturer's warranty as well as increase the risk of scalding.
- COPPER ADAPTORS MAY BE REQUIRED TO COMPLETE YOUR INSTALLATION

- Shipping weight: 4 lb (SS-TH1000/3000) or 5 lb (SS-TH2000/4000)
- Shipping dimension: 7"x7"x3.5" (SS-TH1000/3000) or 8"x7.5"x6" (SS-TH2000/4000)

Note:

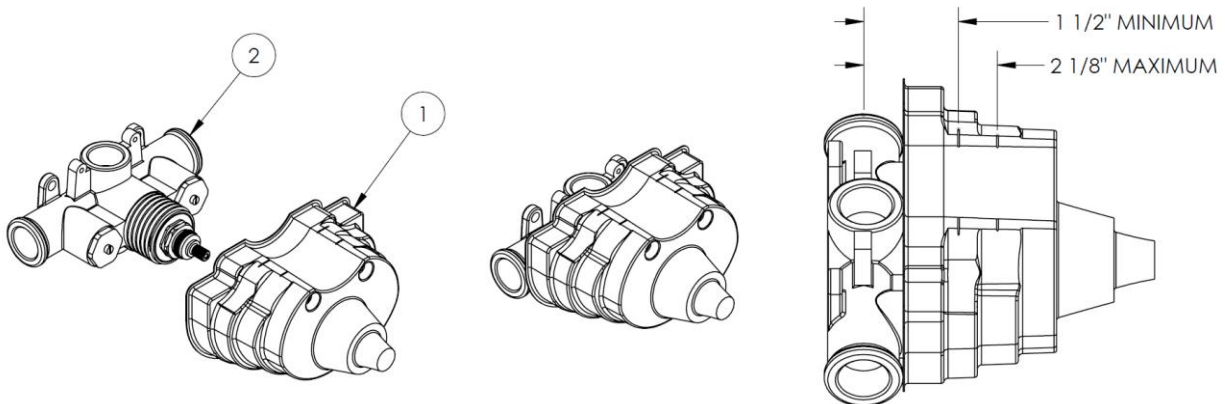
- Separate wall stops/shut off valves/volume controls (SS-TS150 or SS-TS200) may be needed in conjunction with this valve. A thermostatic valve's only function is to mix temperature.

Diagram 1: Flow Rate Vs. Pressure



Valve Installation

1. Flush the lines of all dirt and debris. Failure to completely flush the lines will cause valve failure and will void the manufacturer's warranty.
2. Fit the valve on the wall without removing the plastic cover on the control spindle. Turning the control spindle will change the temperature setting which is pre-calibrated at the factory.
3. Connect the hot water supply to the left inlet of the valve (hot marked with red paint) and cold supply to the right inlet (cold marked with blue paint).
4. Use the **Plastic Mudguard (1)** (part of the package) to position the **Valve (2)** in the wall. This is done by checking the markings on the mudguard for the minimum/ maximum settings which are 1 1/2" to 2 1/8" from the center of the valve inlets to the finished wall.

Diagram 2: Plastic Mudguard

5. Connect the outlet pipe. Install tile stops/volume controls between the thermostatic valve and each device to be operated. See Diagram 8 for sample installations.
 - **NOTE:** Water temperature from the bottom outlet will be slightly colder than water temperature from the top outlet.

Trim Installation (see Diagram 4)

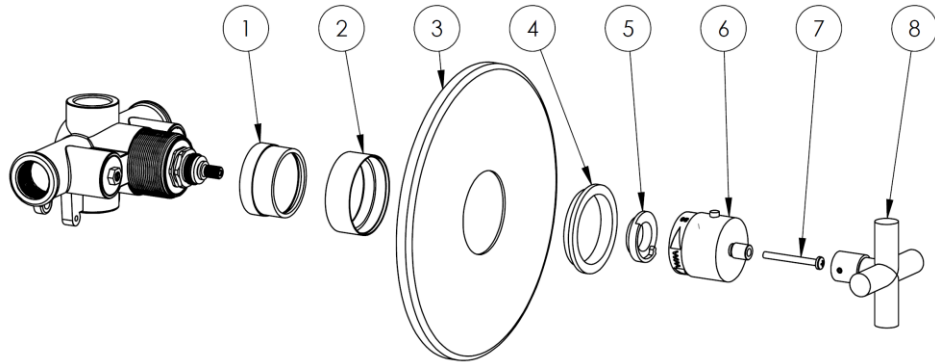
1. Screw **Temperature Control Dome (1)** and **Volume Control Dome (9)** (where applicable) onto valve.
 - **NOTE:** **Temperature Control Dome (1)** has a larger opening than **Volume Control Dome (9)**.
2. Slide the **Thermostatic Face Plate (3)** onto the valve by sliding over the **Temperature Control Dome (1)** and **Volume Control Dome (9)** (where applicable) and hold in place.
3. Screw **Thermostatic Face Plate Lock Ring(s) (4)** into **Dome Sleeve(s) (2)**.
4. Lock the **Thermostatic Face Plate (3)** securely against the wall by screwing **Dome Sleeve(s) (2)** with **Thermostatic Face Plate Lock Ring(s) (4)** onto **Temperature Control Dome (1)** and **Volume Control Dome (9)** (where applicable).
5. Ensure **Temperature Limit Stop Ring (5)** is installed with red dot at 12 o'clock position.
6. Install **Temperature Control Post (6)** onto valve with push button at 12 o'clock position and install **Temperature Control Handle (8)** onto **Temperature Control Post (6)**. Install **Volume Control Post (10)** onto valve and install **Volume Control Handle (12)** onto **Volume Control Post (10)**.
 - **NOTE:** Some heavier lever handles come with friction washers to prevent rotation due to gravity. The thinner of these washers is for use with this valve when needed (see Diagram 3).

Diagram 3

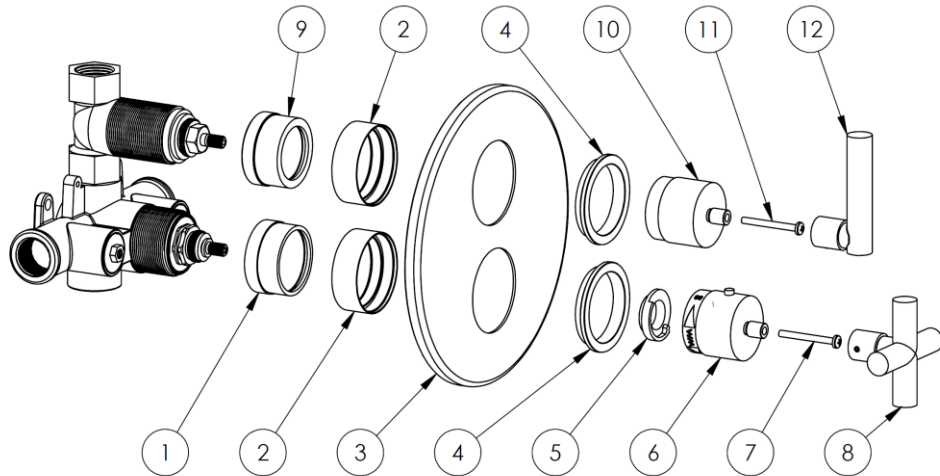


Diagram 4: Representative Trim

SS-TH1000 or SS-TH3000



SS-TH2000 or SS-TH4000



Parts Checklist – SS-TH1000 or SS-TH3000 (SS-TH2000 or SS-TH4000)

Carefully remove all parts from the box. The following parts should be included.

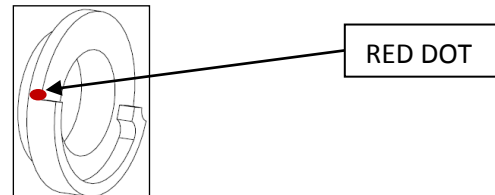
Item #	Description	Qty.	Item #	Description	Qty.
1	Temperature Control Dome	1	7	Temperature Control Screw	1
2	Dome Sleeve (raw brass)	1 (2)	8	Temperature Control Handle	1
3	Face Plate	1	9	Volume Control Dome	0 (1)
4	Lock Ring	1 (2)	10	Volume Control Post	0 (1)
5	Temperature Limit Stop Ring	1	11	Volume Control Screw	0 (1)
6	Temperature Control Post	1	12	Volume Control Handle	0 (1)

Temperature Setting

The delivered temperature of the valve varies depending on the temperature of the supplied hot water. The valve is factory set at a supplied temperature of 149°F under balanced pressures. Depending on your preferred hot water temperature setting, it may be necessary to adjust the calibrations of the valve. The limit override button is preset at 100°F and can be adjusted as described below.

1. Select 100°F on the control handle.
2. Without turning the handle, remove the handle by unscrewing the screw and pulling off (screw may be concealed and/or fastened with set screws).
3. Use a thermometer to check the delivered temperature on one of the outlets.
4. Adjust water temperature to 100°F by hand turning the cartridge stem slowly left or right.
5. Ensure that the temperature limit stop-ring is installed with red dot at 12 o'clock position.
6. Install the handle back on the valve with the push button at the 12 o'clock position.

Diagram 5: Temperature Limit Stop Ring



Removal and Maintenance of Cartridge(s) (see Diagram 6)

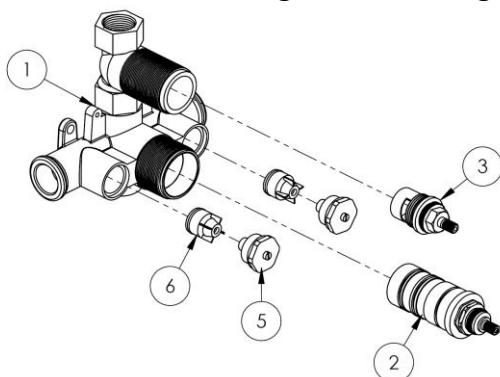
This thermostatic cartridge has screens to prevent dirt and unwanted particles from damaging the valve. Clogged screens can cause reduced flow and inefficient temperature mixture by the valve. You can easily clean the screens by following the instructions below.

1. Remove the trim by following the Trim Installation steps above in reverse.
2. Shut off the water inlets by tightening the two screws at the two check stop valves.
3. Unscrew **Thermostatic Cartridge (2)** with a 30mm socket wrench or other adjustable wrench in a counter-clockwise direction and gently pull out.
4. Clean the screens and rinse with water. If necessary, soak in a 50/50 mix of white vinegar/ water or a de-scaling agent until all dirt is dissolved. Grease the o-rings with a silicone based grease and wipe the housing with a wet cloth before reassembling.
5. Reassemble the valve by reversing these instructions. Make sure the red dot on the temperature limit stop ring and push button on the handle are both aligned in the 12 o'clock position.

- **NOTE:** Temperature may need to be reset as per instructions above.

NOTE: To prevent the handle from accumulating mineral build up which can cause the handle to “lock up,” the handle must be turned on an occasional basis.

Diagram 6: Cartridge Removal/Check Valve Removal



Parts List SS-TH1000 or SS-TH3000 (SS-TH2000 or SS-TH4000)		
Item #	Description	Qty.
1	Valve Body	1
2	Thermostatic Cartridge	1
3	Volume Cartridge	0 (1)
5	Service Stop Nut	2
6	Check Valve	2

Troubleshooting		
Malfunction	Cause	Remedy
Cannot regulate temperature	Dirt in check valves	Remove and clean check valves
	Water supply reversed	Reverse hot and cold supply lines
	Valve installed upside down	Reverse valve
Hot and cold water do not mix	Lack of water pressure at one of the inlets	Correct water pressure at source
	Blocked shower head	Remove shower head and clean debris. If necessary, soak in a 50/50 mix of white vinegar/ water or a de-scaling agent until all dirt is dissolved.
Water not hot enough / Water too hot	Debris in check valves	Remove and clean check valves
	Valve not properly calibrated	Calibrate valve following instructions on page 4
	Water heater setting incorrect	Adjust water heater temperature setting
Temperature selected on handle is different than actual water temperature	Debris in check valves	Remove and clean check valves
	Valve not properly calibrated	Calibrate valve following instructions on previous page
	Uneven hot & cold water pressure	Check and adjust water pressure for both hot & cold supply lines
Handle does not turn	Mineral build up	Remove and clean cartridge following instructions above
Low water pressure	Low water pressure	Check and adjust water pressure at source
	Debris in cartridge	Remove and clean cartridge following instructions above
	Debris in check valves	Remove and clean check valves
	Blocked shower head	Remove shower head and clean debris. If necessary, soak in a 50/50 mix of white vinegar/ water or a de-scaling agent until all dirt is dissolved.
Leaking shower head	Fault cartridge in wall stop/ volume control	Repair or replace cartridge in wall stop/ volume control
Valve body too deep into wall	The measured rough in or finished wall surface is incorrect	Install an extension kit: SS-EXT41 for SS-TH1000 or SS-TH3000 SS-EXT51 for SS-TH2000 or SS-TH4000

Diagram 7 – Dimensional Drawings

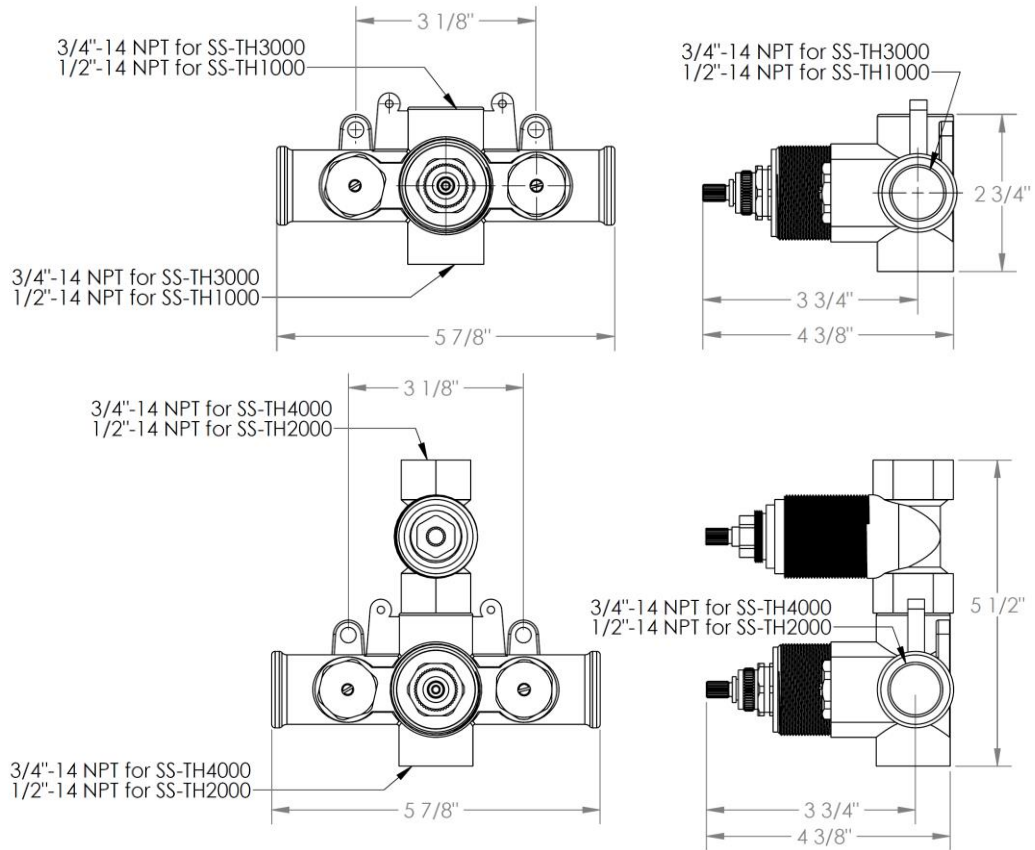


Diagram 8: Sample Layouts

