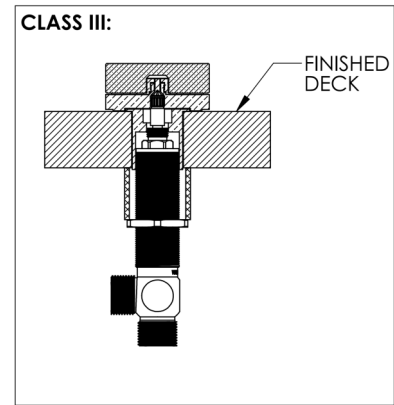
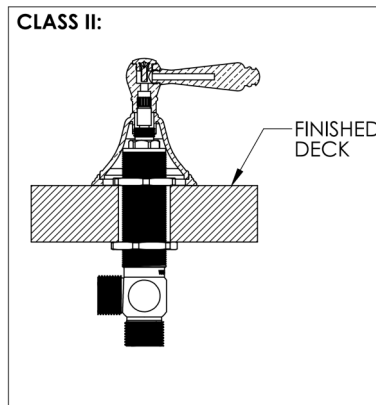
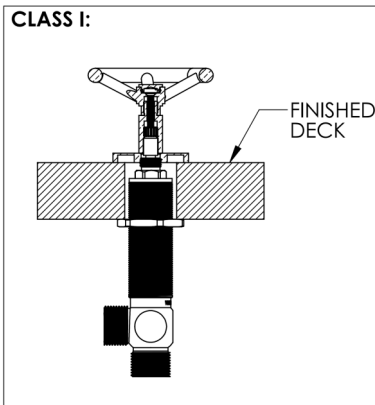


**NOTE:** These instructions do not represent step-by-step directions. They are a product supplement only to be used by a qualified/ licensed plumber. We recommend all plumbing fixtures be installed by a professional.

*For support please call (718)-257-2800 or visit [www.watermark-designs.com](http://www.watermark-designs.com)*

## GENERAL INSTRUCTIONS:

- ALWAYS flush lines of debris; Always provide an access panel for later service.
- USE TEFLON TAPE OR PIPE SEALANT FOR THREADED CONNECTIONS
- DO NOT USE PLUMBER'S PUTTY ON ANY OF THE BRASS COMPONENTS
  - This will cause the finish to tarnish and void the warranty. A non-corrosive Alkoxy Silicone is recommended.
- DURING SWEATING OF LINES DO NOT OVERHEAT CASTING
  - Overheating may cause damage to internal mechanism
- COPPER ADAPTORS MAY BE REQUIRED TO COMPLETE YOUR INSTALLATION
- Stem protrusion varies between different handles, see the diagrams below for reference.



## HANDLE CLASSES QUICK GUIDE

**CLASS I:** Escutcheon/escutcheon ring threaded but not big enough to fit another lock nut. Stem protrusion from the deck is generally between 1"-2"

**CLASS 2:** Escutcheon big enough to fit another lock nut. Stem protrusion from the deck is generally over 2".

**CLASS 3:** Handle uses its own lock nut in conjunction to the lock nut included with the valve. A plastic collar is provided with the handle as well. Stem protrusion from the deck is under 1"

CLASS I	
ADCRY4	MR4
ADT6	MR5
MZ4K.1	MZ5K.1

CLASS II	
CLR4	TR15
CLR5	WW
CLR6	AX
TR14	

CLASS III	
DD2	DD3

## PARTS LISTS FOR ROMAN TUB SETS:

- The basic Roman tub set should include the items in the below diagram.
- *Carefully* remove all parts from the box.

**Two Valve Roman Tub**

ITEM NO.	PART NUMBER	QTY.
1	DECK SPOUT	1
2	#10-24 SOCKET; CUP POINT; 1/2" LENGTH	1
3	22-8 NIPPLE	1
4	22-8 LOCK NUT	1
5	508-TEE	1
6	508 VALVE BRASS LOCK NUT	2
7	CRT-508	2
8	SS-508 VALVE BODY	2

**\* NIPPLE CONNECTION VARIES DEPENDING ON THE SPOUT**

**Three Valve Roman Tub**

ITEM NO.	PART NUMBER	QTY.
1	DECK SPOUT	1
2	#10-24 SOCKET; CUP POINT; 1/2" LENGTH	1
3	HAND SHOWER	1
4	DECK ELBOW ASSY	1
5	DM-3079	1
6	DECK BASE	1
7	DECK BASE LOCK NUT	1
8	RUBBER WASHER	2
9	SS-508 VALVE WASHER	1
10	SS-DD4 VALVE BODY	1
11	CRT-DD4	1
12	SS-DD4 NIPPLE EXTENSION	1
13	22-8 LOCK NUT	1
14	22-8 NIPPLE	1
15	SS-508 VALVE BODY	2
16	CRT-508	2
17	SS-508 BRASS LOCK NUT	2

**\* NIPPLE CONNECTION VARIES DEPENDING ON THE SPOUT**

### INSTALLATION DIAGRAMS FOR 2 VALVE AND 3 VALVE ROMAN TUB SETS

#### NOTES:

- The valves shown in the diagram are laid out to represent the installation of a **CLASS III** handle trim
- Rough in hole sizes are 1 3/8" for all roman tub valves
- Hard piping is required with roman tub sets

