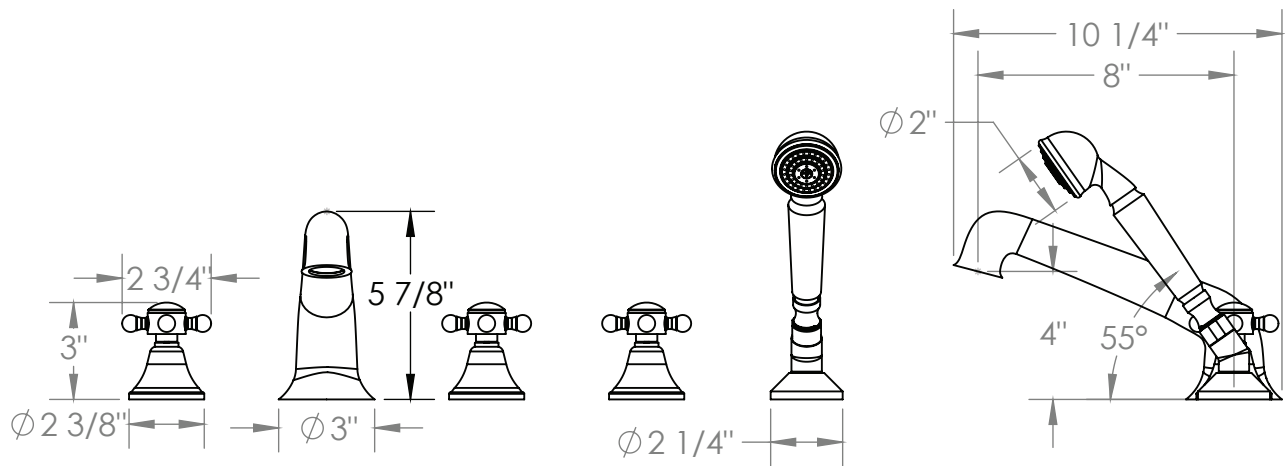


# Sydney

ORW-34-8.1-\_-



DECK MOUNTED 5 HOLE BATH SET  
 HAND SHOWER FLOW RATE: 1.75 GPM  
 NOTE: SOME BUILDING CODES MAY REQUIRE  
 A REMOTE PRESSURE BALANCING VALVE



Meets the applicable requirements of ASME A112.18.1-2005/CSA B125.1-05, entitled "Plumbing Supply Fittings"