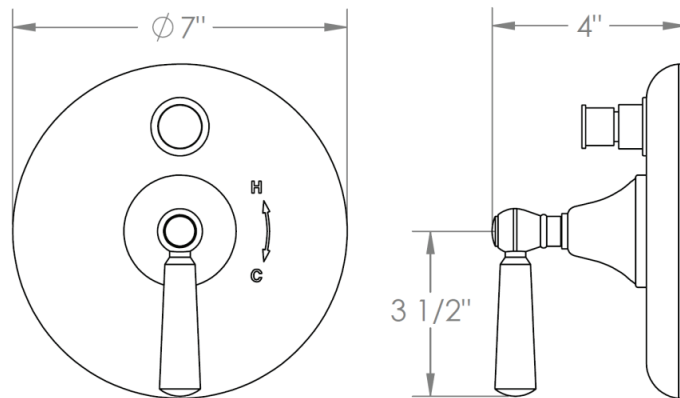


Sydney

ORW-34-P90-



TRIM KIT ONLY FOR PRESSURE BALANCE VALVE WITH
DIVERTER REQUIRES ORW-SS-PB85 CONCEALED ROUGH



Meets the applicable requirements of ASME A112.18.1-2005/CSA B125.1-05, entitled "Plumbing Supply Fittings"