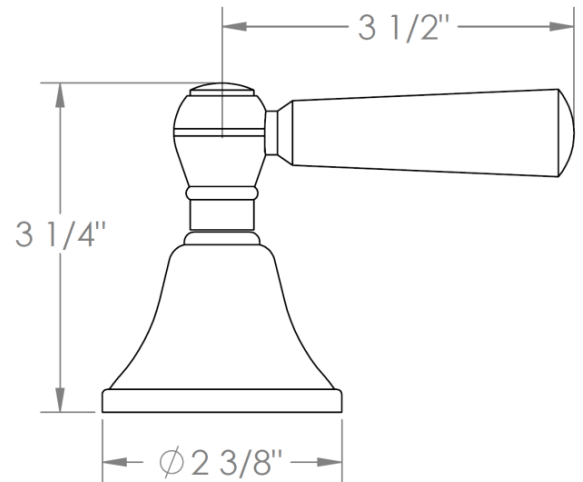


Sydney

ORW-34-WTR-



WALL MOUNTED TRIM INCLUDES ALIGNMENT KIT REQUIRES ORW-SS-TS200-C, ORW-SS-TS200-H, ORW-SS-TS150-C, ORW-SS-TS150-H, ORW-SS-WD2, ORW-SS-WD3, ORW-SS-VCWD2 OR ORW-SS-VCWD3 CONCEALED ROUGH



Meets the applicable requirements of ASME A112.18.1-2005/CSA B125.1-05, entitled "Plumbing Supply Fittings"