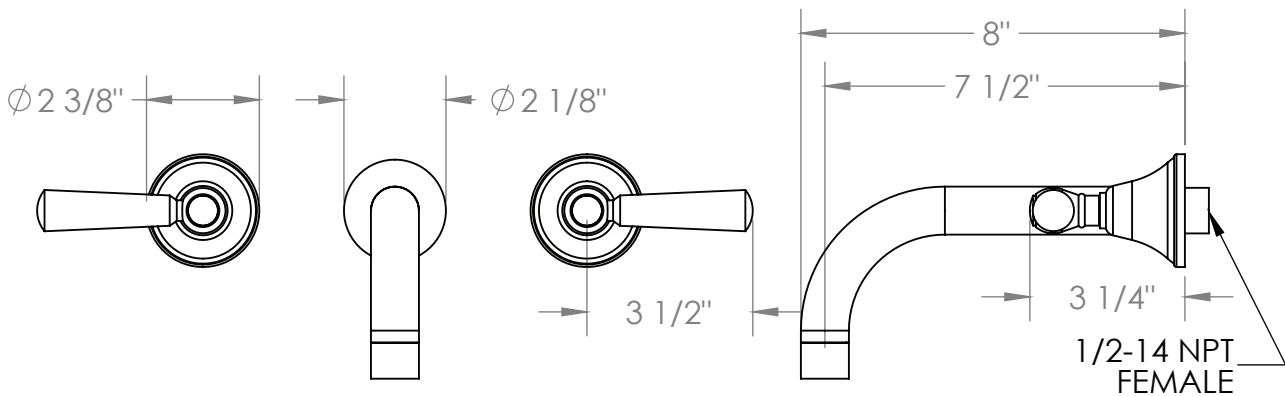


Sydney

ORW-34-2.2-WW



WALL MOUNTED 3 HOLE LAVATORY SET
 REQUIRES ORW-SS-THV2.2 CONCEALED ROUGH
 FLOW RATE: 1.2 GPM



Meets the applicable requirements of ASME A112.18.1-2005/CSA B125.1-05, entitled "Plumbing Supply Fittings"