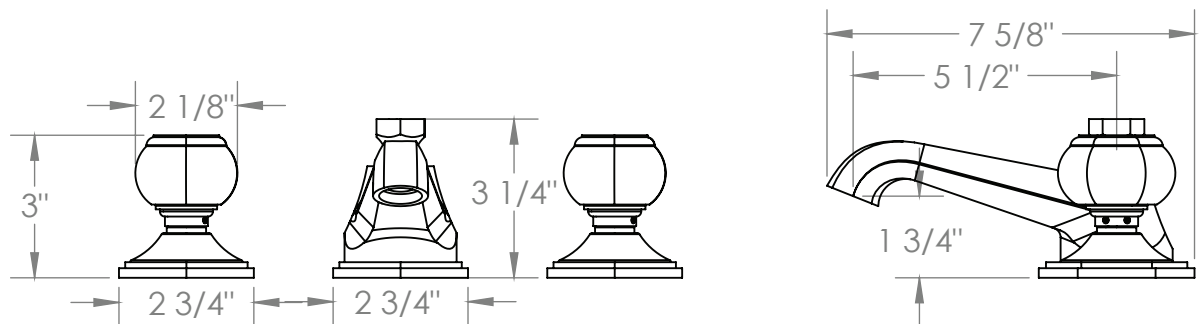
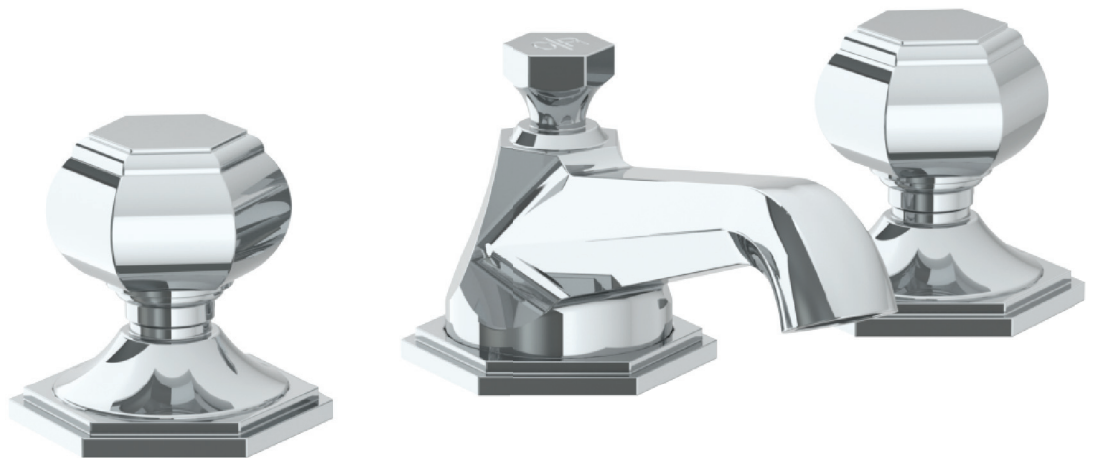
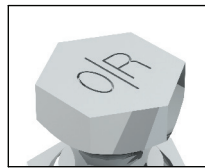


Addison



ORW-314-2-ADT6

LAVATORY WIDESPREAD
 INCLUDE ORW-MPU7 POP UP DRAIN
 FLOW RATE: 1.2 GPM



Meets the applicable requirements of ASME A112.18.1-2005/CSA B125.1-05, entitled "Plumbing Supply Fittings"