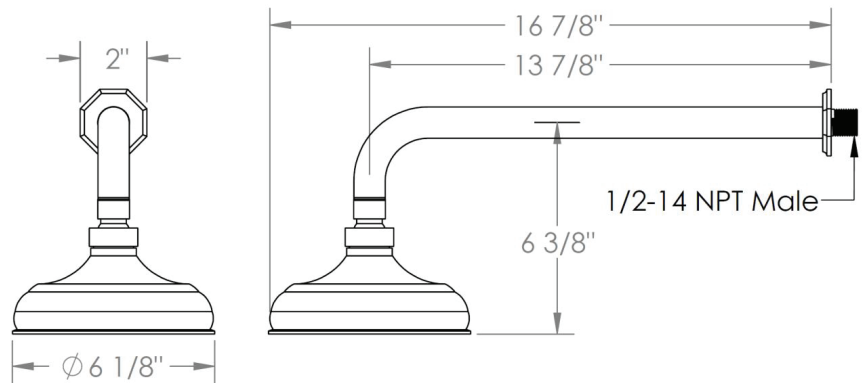


Addison



ORW-314-8.3-ADT6

WALL MOUNTED SHOWERHEAD WITH ARM AND FLANGE
 FLOW RATE: 1.75 GPM



Meets the applicable requirements of ASME A112.18.1-2005/CSA B125.1-05, entitled "Plumbing Supply Fittings"