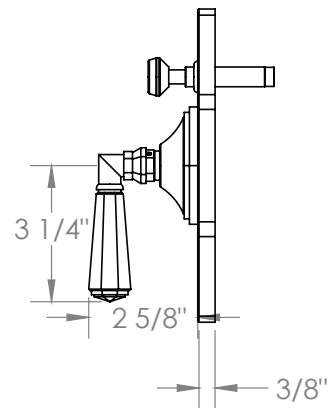
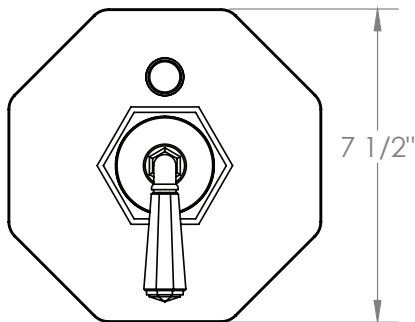


# Addison



**ORW-314-P90-ADCRY4**

PRESSURE BALANCE SHOWER TRIM  
FOR USE WITH ORW-SS-PB85 PRESSURE  
BALANCE VALVE



Meets the applicable requirements of ASME A112.18.1-2005/CSA B125.1-05, entitled "Plumbing Supply Fittings"