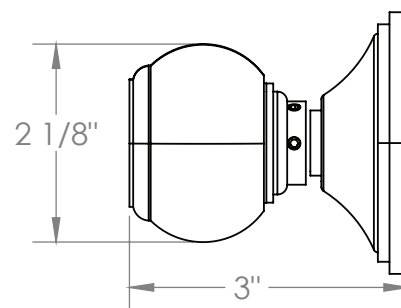
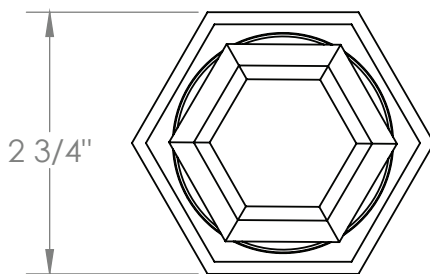
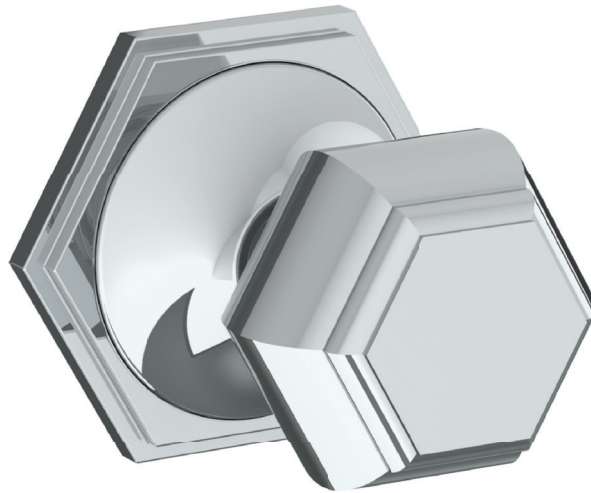


# Addison



**ORW-314-WTR-ADT6**

WALL MOUNTED TRIM  
 INCLUDES ALIGNMENT KIT  
 FOR USE WITH ORW-SS-TS200-C, ORW-SS-TS200-H,  
 ORW-SS-TS150C, ORW-SS-TS150-H, ORW-SS-WD2, ORW-SS-WD3,  
 ORW-SS-VCWD2 OR ORW-SS-VCWD3 CONCEALED ROUGH



Meets the applicable requirements of ASME A112.18.1-2005/CSA B125.1-05, entitled "Plumbing Supply Fittings"