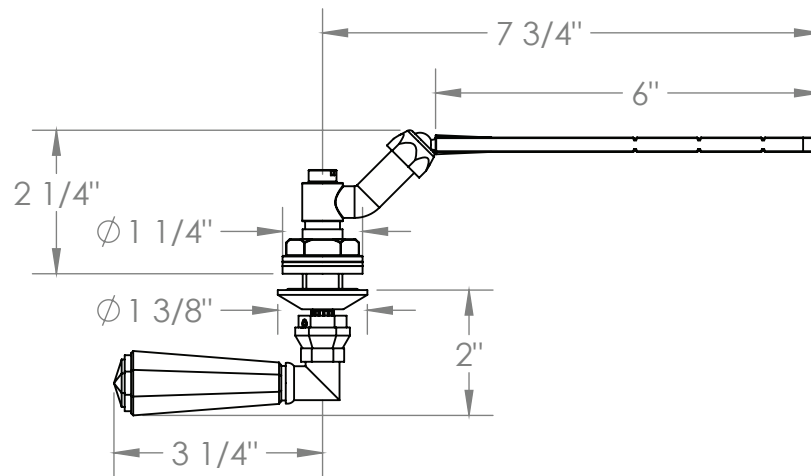


Addison



ORW-314-0.11-ADCRY4

TANK LEVER - FRONT, SIDE OR ANGLE MOUNT
 NOTE: PLEASE CHECK DIMENSIONS FOR SPECIFIC TANK.



Meets the applicable requirements of ASME A112.18.1-2005/CSA B125.1-05, entitled "Plumbing Supply Fittings"