

# Colin

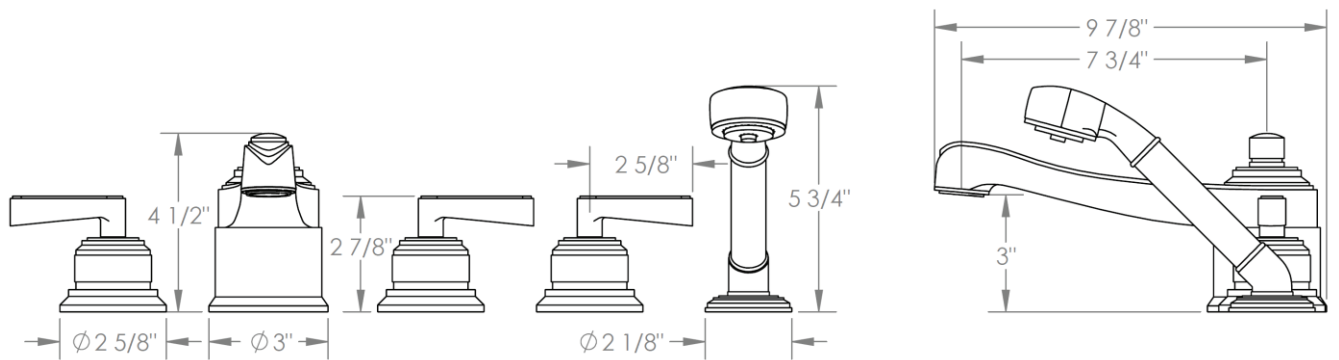


ORW-29-8.1-\_-

DECK MOUNTED 5 HOLE BATH SET WITH HAND SHOWER HAND SHOWER

FLOW RATE: 1.75 GPM

NOTE: SOME BUILDING CODES REQUIRE REMOTE PRESSURE BALANCE VALVES FOR ANTI-SCALD



Meets the applicable requirements of ASME A112.18.1-2005/CSA B125.1-05, entitled "Plumbing Supply Fittings"