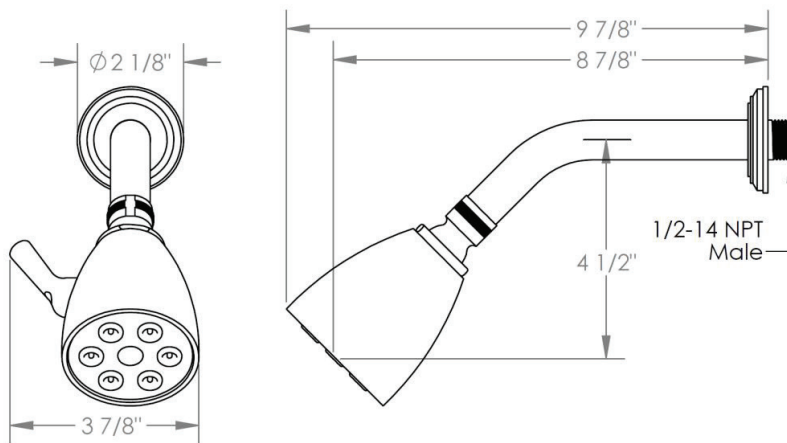


Colin

ORW-29-HAF



WALL MOUNTED SHOWERHEAD WITH 6" ARM & FLANGE
 FLOW RATE: 1.75 GPM



Meets the applicable requirements of ASME A112.18.1-2005/CSA B125.1-05, entitled "Plumbing Supply Fittings"