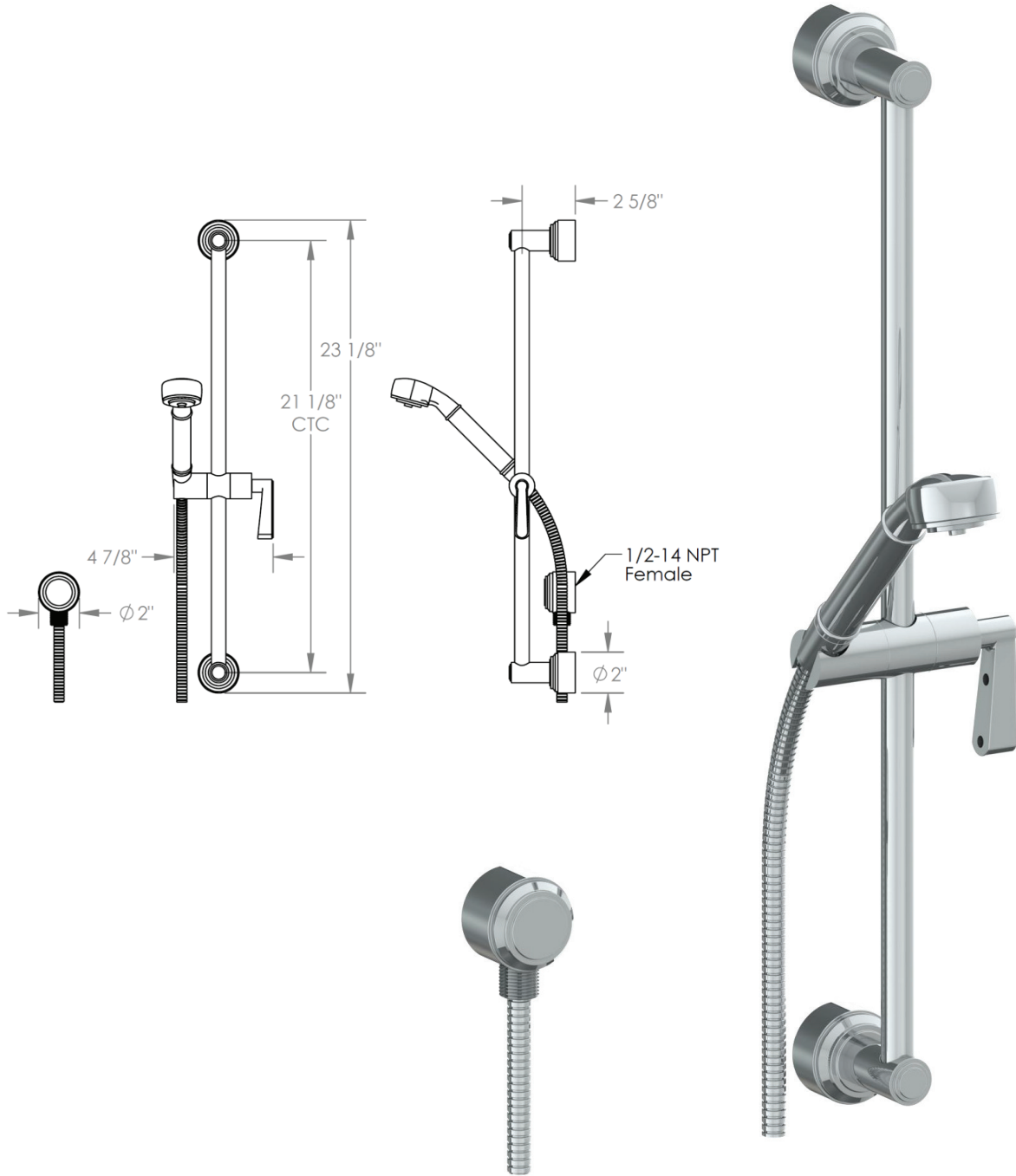


Colin



ORW-29-HSPB1-_-

POSITIONING BAR SHOWER KIT WITH HAND SHOWER AND 69" HOSE
 FLOW RATE: 1.75 GPM



Meets the applicable requirements of ASME A112.18.1-2005/CSA B125.1-05, entitled "Plumbing Supply Fittings"