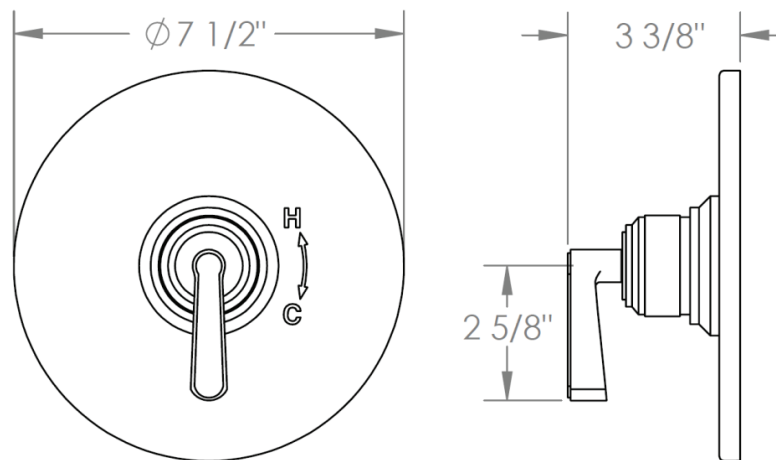


# Colin



ORW-29-P80-\_-

TRIM KIT ONLY FOR PRESSURE BALANCE VALVE  
REQUIRES ORW-SS-PB75 CONCEALED ROUGH



Meets the applicable requirements of ASME A112.18.1-2005/CSA B125.1-05, entitled "Plumbing Supply Fittings"