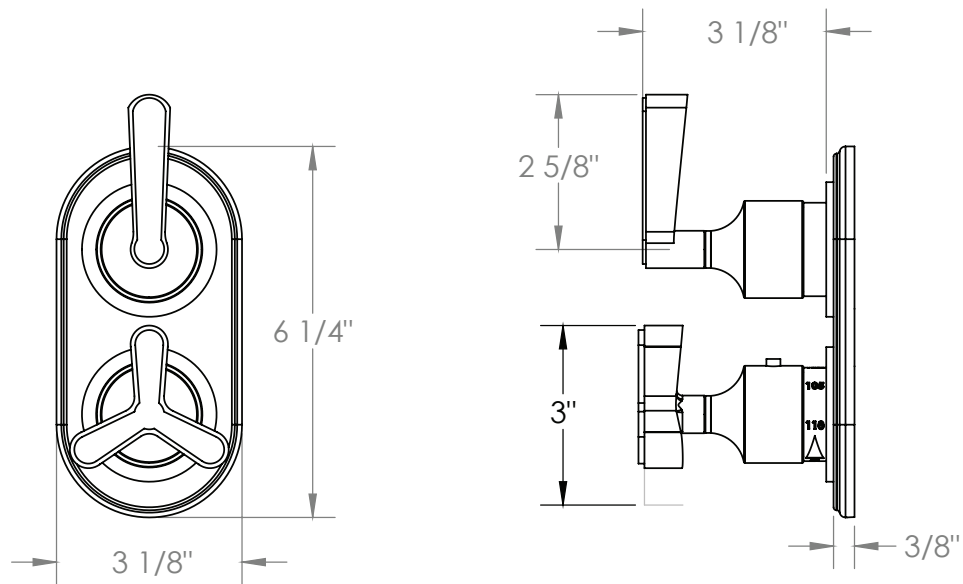
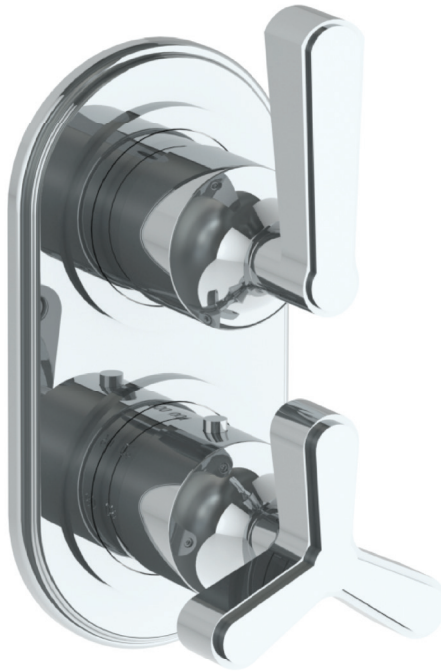


Colin

ORW-29-T25-TR14



WALL MOUNTED THERMOSTATIC SHOWER TRIM WITH BUILT-IN CONTROL FOR USE WITH ORW-SS-TH60 OR ORW-SS-TH70 CONCEALED ROUGH



Meets the applicable requirements of ASME A112.18.1-2005/CSA B125.1-05, entitled "Plumbing Supply Fittings"