

Colin

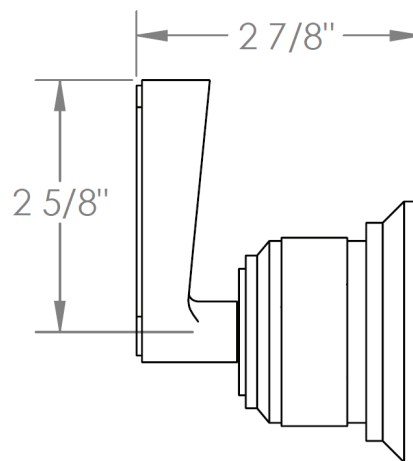
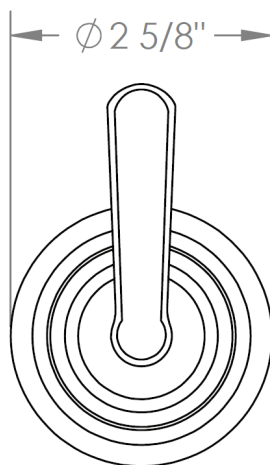


ORW-29-WTR_

TRIM KIT FOR WALL MOUNTED VALVE

INCLUDES ALIGNMENT KIT

REQUIRES SS-TS200-C, SS-TS200-H, SS-TS150-C, SS-TS150-H,
SS-WD2, SS-WD3, SS-VCWD2 OR SS-VCWD3 CONCEALED ROUGHS



Meets the applicable requirements of ASME A112.18.1-2005/CSA B125.1-05, entitled "Plumbing Supply Fittings"