

Colin

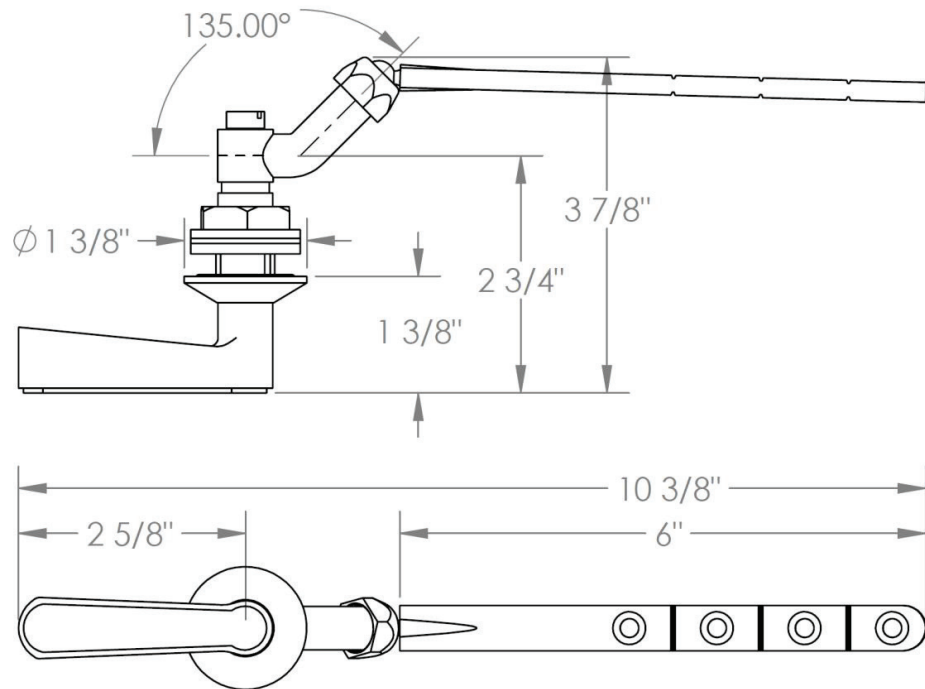
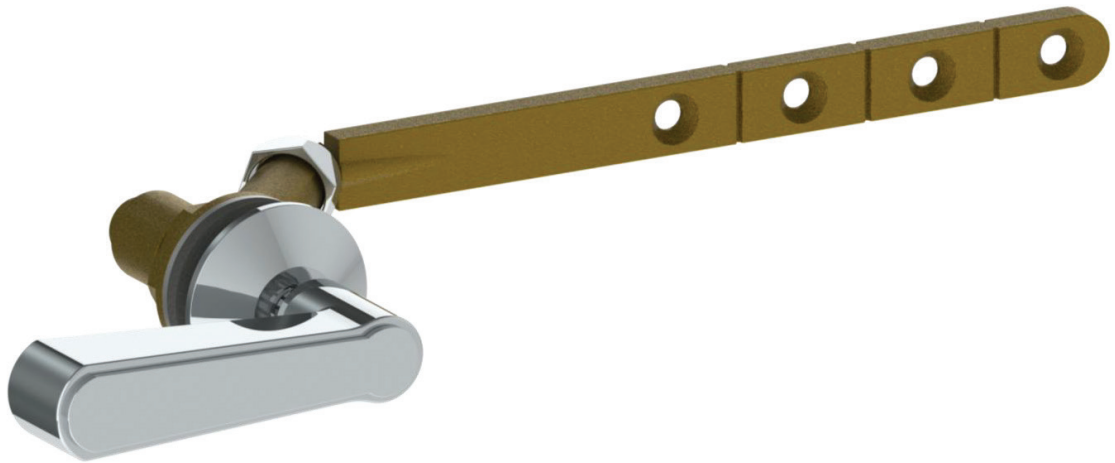


ORW-29-0.11-

TOILET TANK LEVER

FRONT, SIDE OR ANGLE MOUNT

NOTE: WATERMARK CANNOT GUARANTEE FIT WITH ANY SPECIFIC TANK. PLEASE CHECK DIMENSIONS FOR COMPATIBILITY



Meets the applicable requirements of ASME A112.18.1-2005/CSA B125.1-05, entitled "Plumbing Supply Fittings"