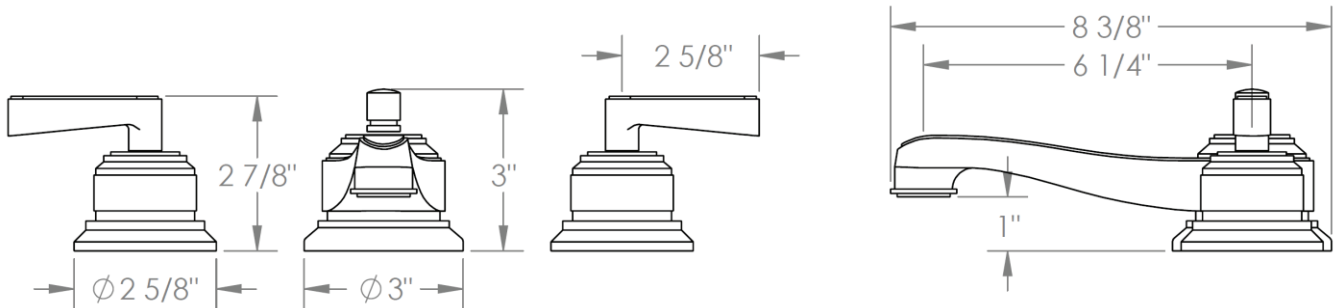
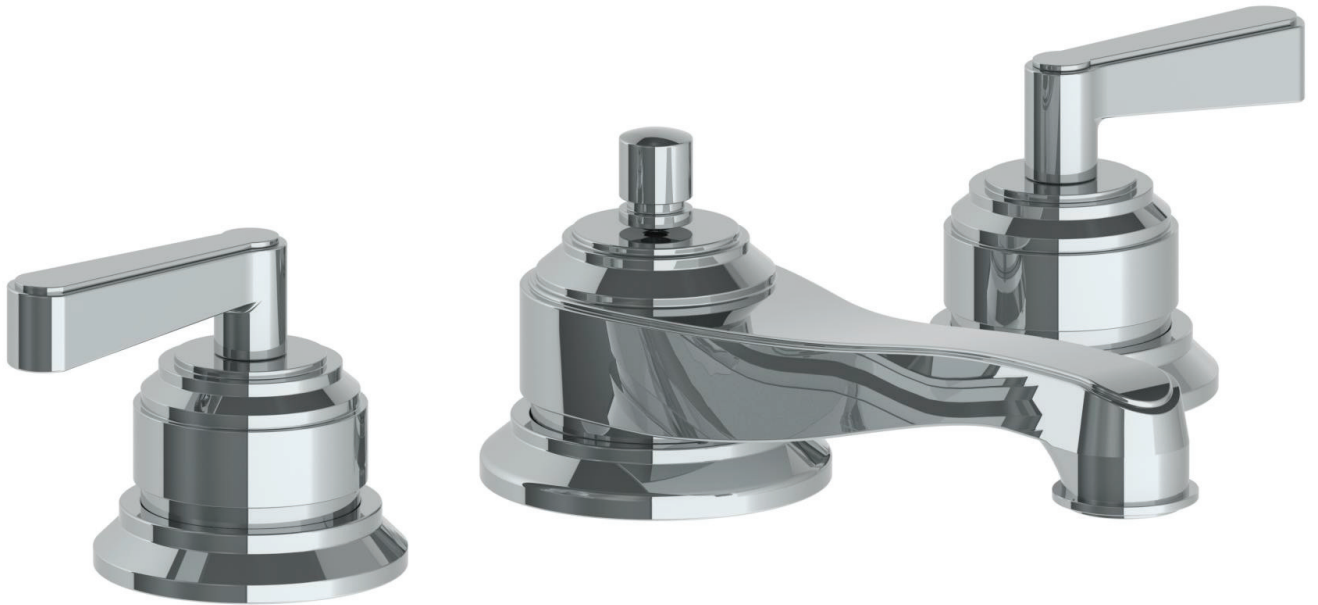


Colin

ORW-29-2-TR14



DECK MOUNTED 3 HOLE LAVATORY
SET INCLUDES ORW-MPU7 POP-UP
DRAIN FLOW RATE: 1.2 GPM



Meets the applicable requirements of ASME A112.18.1-2005/CSA B125.1-05, entitled "Plumbing Supply Fittings"