

# Jonathan

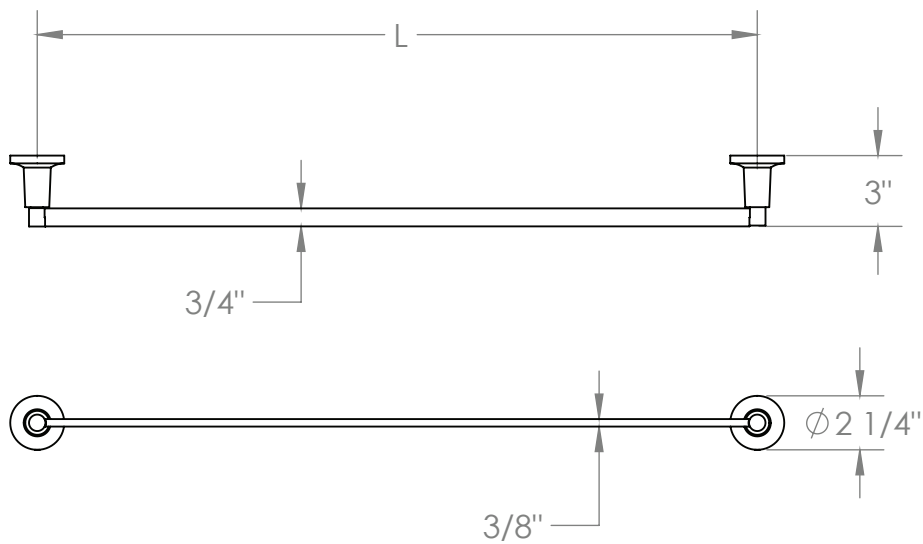


ORW-JN-0.1\_

WALL MOUNTED TOWEL BAR



Model No.	Dimension of L
ORW-JN-0.1	18"
ORW-JN-0.1A	24"
ORW-JN-0.1B	30"



Meets the applicable requirements of ASME A112.18.1-2005/CSA B125.1-05, entitled "Plumbing Supply Fittings"