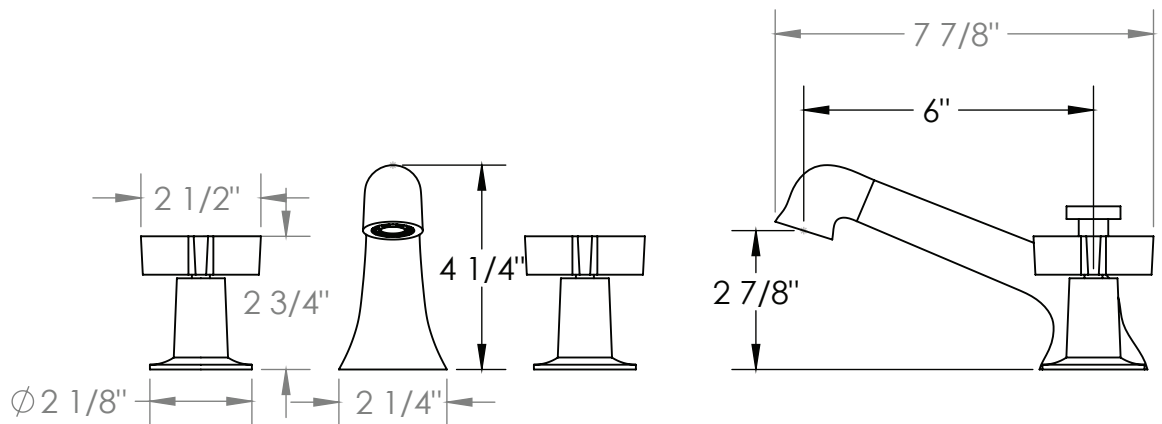


# Jonathan



**ORW-JN-2-DD5**

DECK MOUNTED 3 HOLE LAVATORY SET  
 INCLUDES ORW-MPU7 POP-UP DRAIN  
 FLOW RATE: 1.2 GPM



Meets the applicable requirements of ASME A112.18.1-2005/CSA B125.1-05, entitled "Plumbing Supply Fittings"