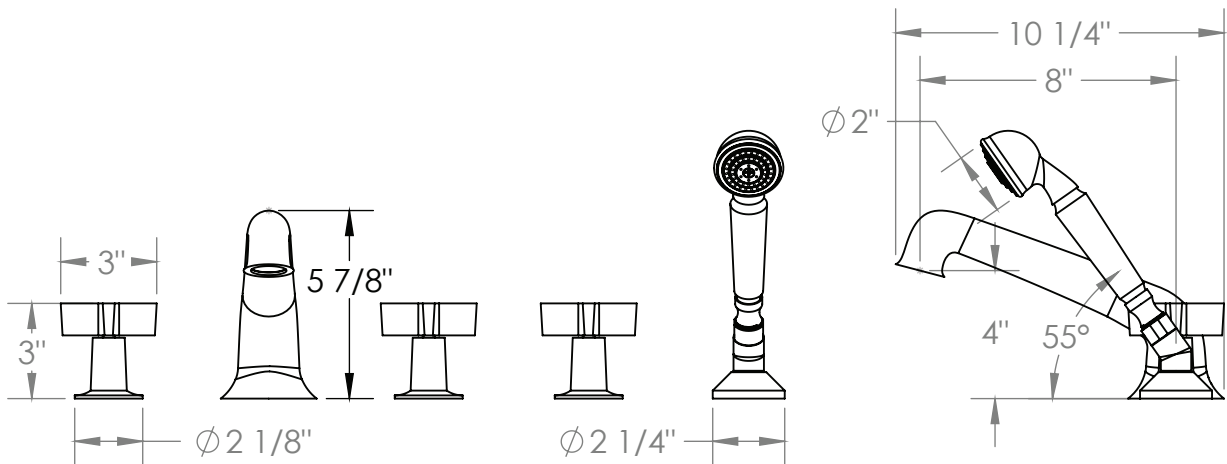


Jonathan



ORW-JN-8.1-DD5

DECK MOUNTED 5 HOLE BATH SET
 HAND SHOWER FLOW RATE: 1.75 GPM
 NOTE: SOME BUILDING CODES MAY REQUIRE A REMOTE
 PRESSURE BALANCING VALVE



Meets the applicable requirements of ASME A112.18.1-2005/CSA B125.1-05, entitled "Plumbing Supply Fittings"