

# Jonathan

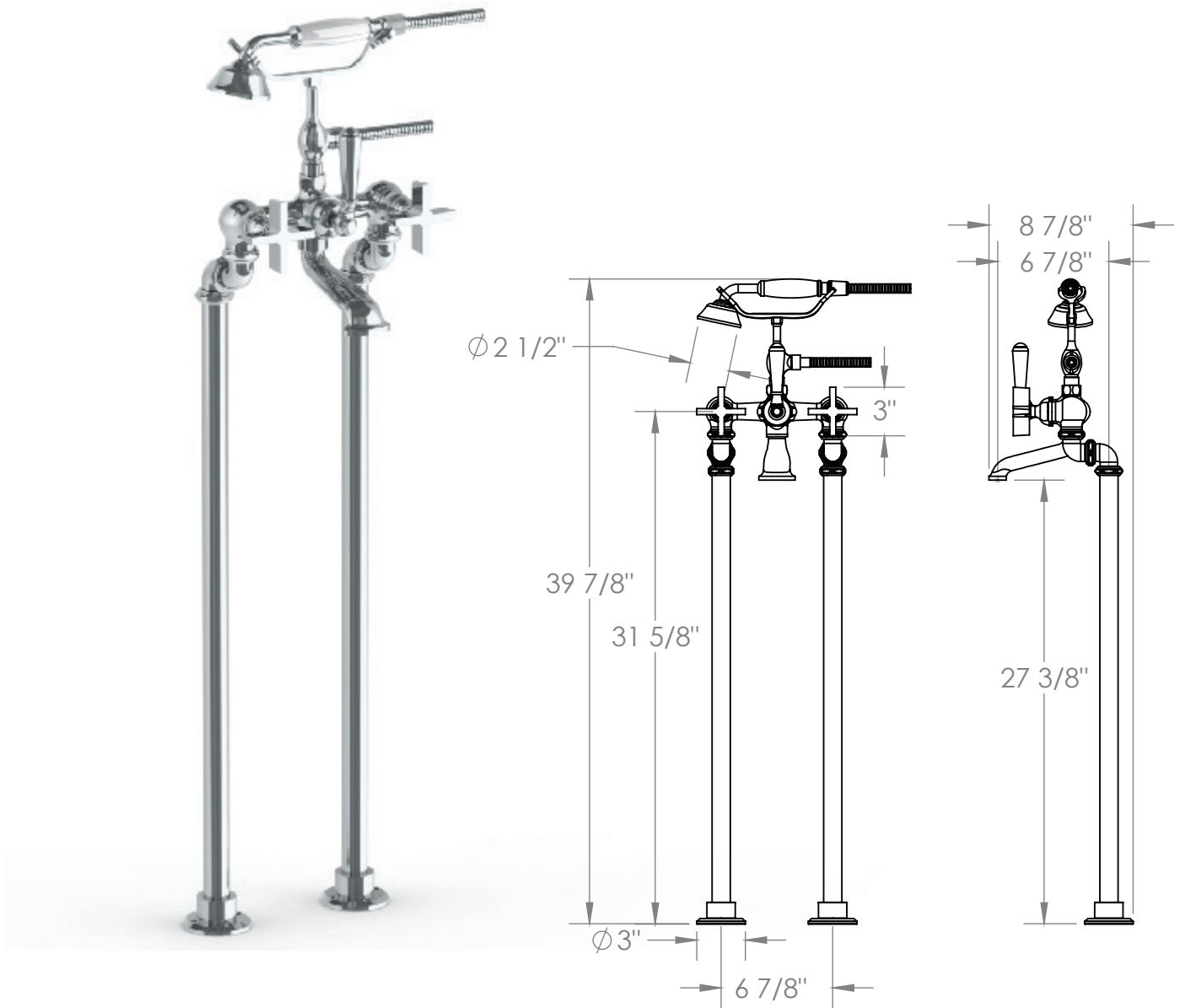


**ORW-JN-8.3-DD5**

FLOOR STANDING BATH SET WITH HAND SHOWER

HAND SHOWER FLOW RATE: 1.75 GPM

NOTE: SOME BUILDING CODES MAY REQUIRE REMOTE PRESSURE BALANCE VALVES FOR ANTI-SCALD



Meets the applicable requirements of ASME A112.18.1-2005/CSA B125.1-05, entitled "Plumbing Supply Fittings"