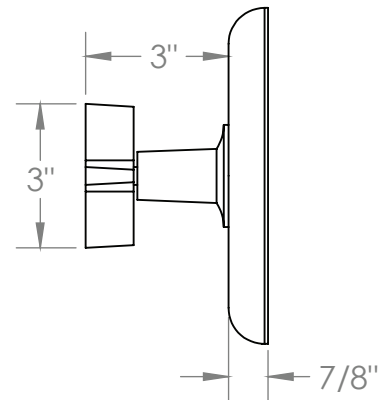
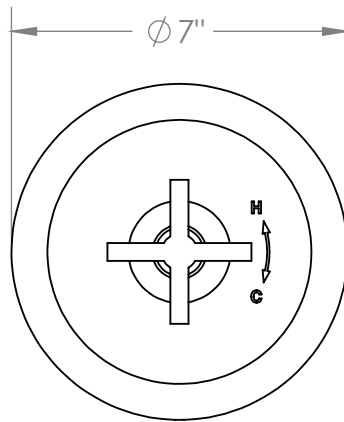
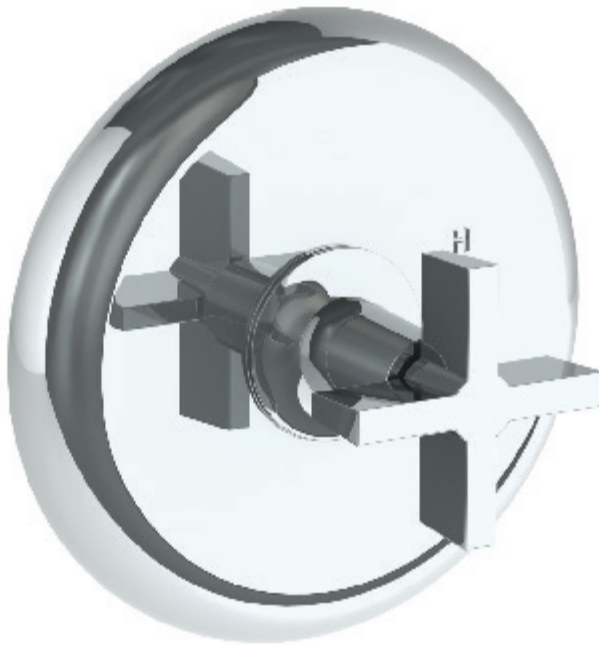


# Jonathan



**ORW-JN-P80-DD5**

PRESSURE BALANCE SHOWER TRIM  
FOR USE WITH ORW-SS-PB75 PRESSURE BALANCE VALVE



Meets the applicable requirements of ASME A112.18.1-2005/CSA B125.1-05, entitled "Plumbing Supply Fittings"