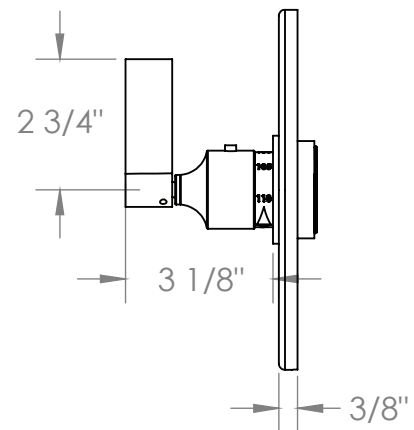
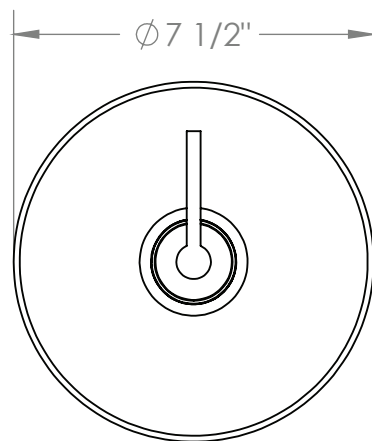


# Jonathan



**ORW-JN-T10-DD4**

WALL MOUNTED THERMOSTATIC SHOWER TRIM  
FOR USE WITH ORW-SS-TH1000 OR ORW-SS-TH3000 ROUGH



Meets the applicable requirements of ASME A112.18.1-2005/CSA B125.1-05, entitled "Plumbing Supply Fittings"