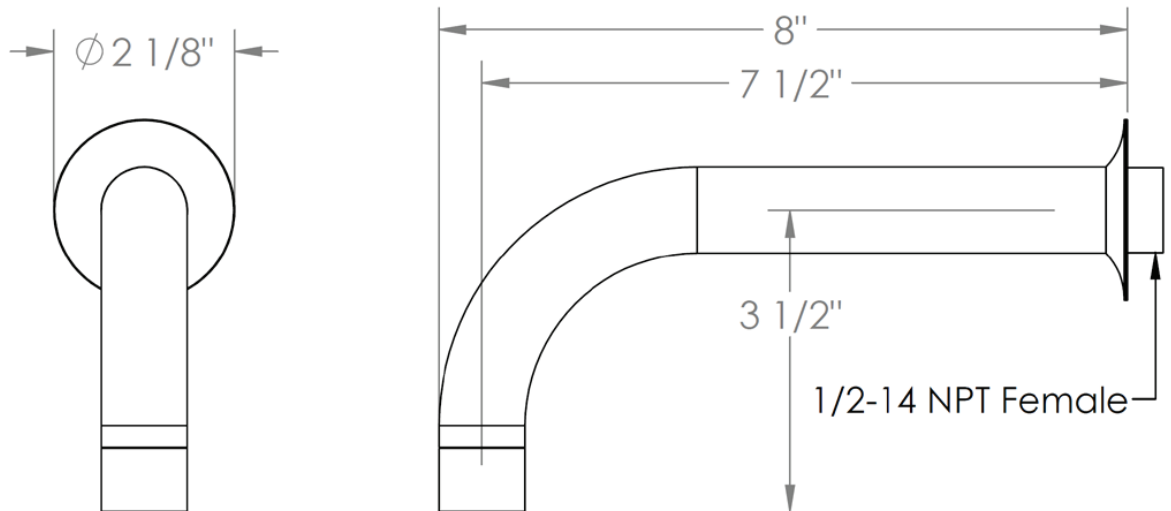


Jonathan

ORW-JN-WBS



WALL MOUNTED TUB SPOUT



Meets the applicable requirements of ASME A112.18.1-2005/CSA B125.1-05, entitled "Plumbing Supply Fittings"