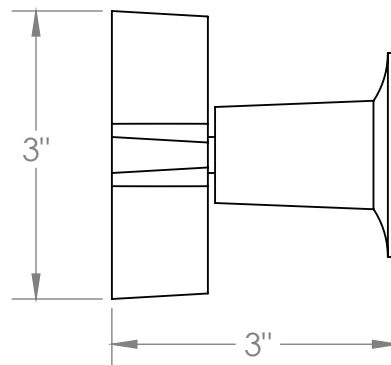
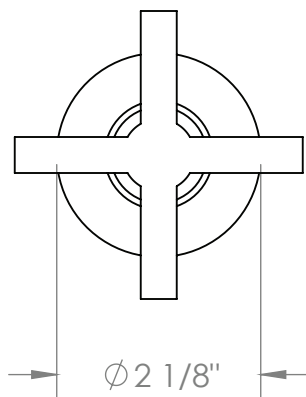
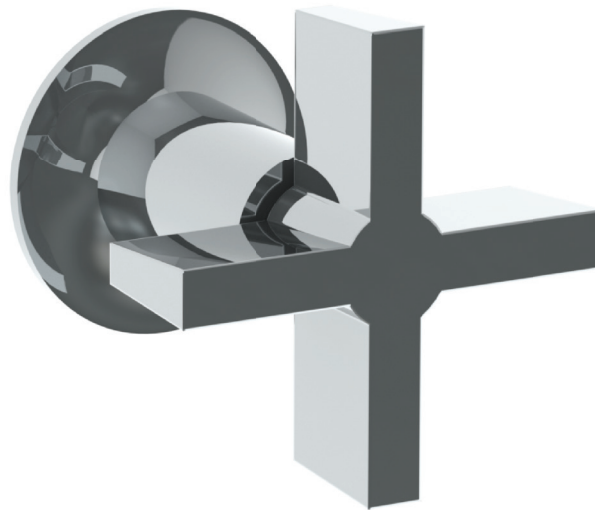


Jonathan



ORW-JN-WTR-DD5

WALL MOUNTED TRIM
 INCLUDES ALIGNMENT KIT
 FOR USE WITH ORW-SS-TS200-C, ORW-SS-TS200-H, ORW-SS-TS150C,
 ORW-SS-TS150-H, ORW-SS-WD2, ORW-SS-WD3, ORW-SS-VCWD2 OR
 ORW-SS-VCWD3 CONCEALED ROUGH



Meets the applicable requirements of ASME A112.18.1-2005/CSA B125.1-05, entitled "Plumbing Supply Fittings"