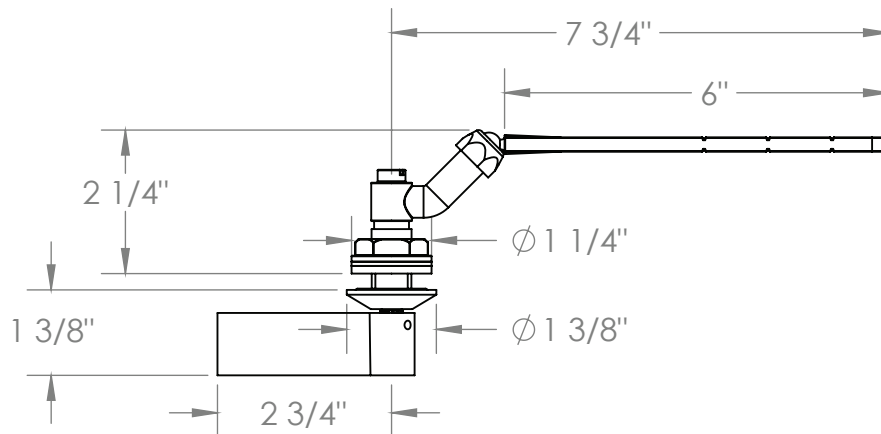
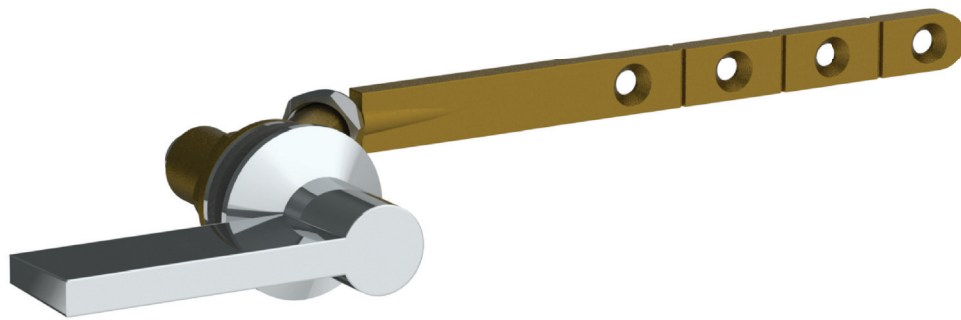


# Jonathan



**ORW-JN-0.11-DD4**

TANK LEVER - FRONT, SIDE OR ANGLE MOUNT  
 NOTE: PLEASE CHECK DIMENSIONS FOR SPECIFIC TANK.



Meets the applicable requirements of ASME A112.18.1-2005/CSA B125.1-05, entitled "Plumbing Supply Fittings"