

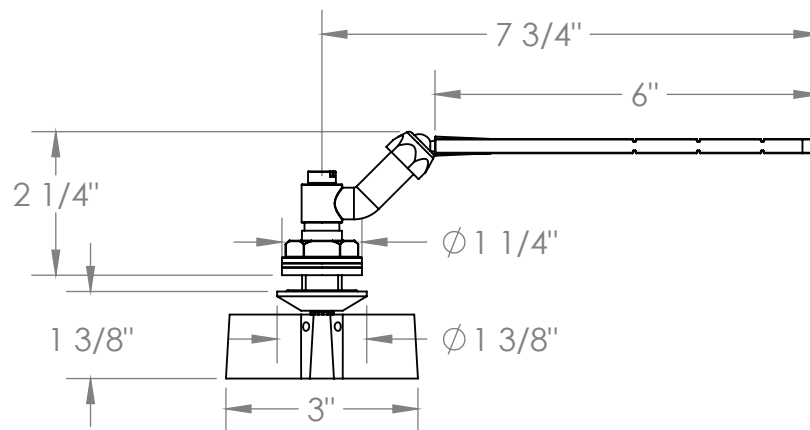
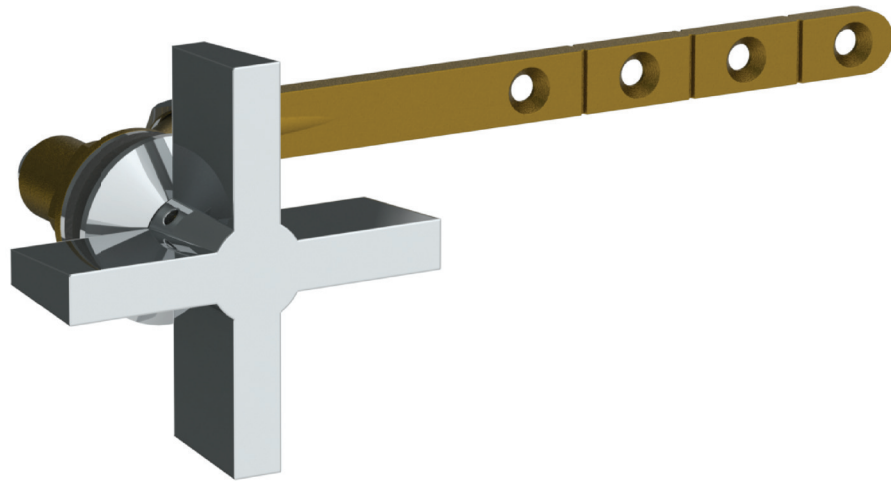
Jonathan



ORW-JN-0.11-DD5

TANK LEVER - FRONT, SIDE OR ANGLE MOUNT

NOTE: PLEASE CHECK DIMENSIONS FOR SPECIFIC TANK.



Meets the applicable requirements of ASME A112.18.1-2005/CSA B125.1-05, entitled "Plumbing Supply Fittings"