

**INSTALLER - Please pass these
IMPORTANT instructions along
to the homeowner!**

O'NEIL RUPPEL
Luxury Bath Fittings and Bespoke Faucetry

Freestanding Luxury Bathtubs

Instructions pertaining to a risk of fire, electric shock, or injury to persons.



WARNING: When using your O'Neil Ruppel tub, basic precautions should be followed. This product can expose you to chemicals including styrene, which is known to the State of California to cause cancer. For more information, go to www.P65Warnings.ca.gov.

READ AND FOLLOW ALL INSTRUCTIONS.

1. **DANGER:** To reduce the risk of injury, do not permit children to use this unit unless they are closely supervised at all times.
2. Use this unit only for its intended use as described in this manual. Do not use attachments not recommended by the manufacturer.
3. Never drop or insert any object into any opening.
4. Do not operate this unit without the cover over the suction fitting.
5. The unit must be connected only to a dedicated electrical supply circuit that is protected by a Ground Fault Circuit Interrupter (GFCI). The GFCI must be provided by the installer and should be tested on a routine basis by the homeowner. To test the GFCI push the test button. The GFCI should interrupt power. Push the RESET button. Power should be restored. If the GFCI fails to operate in this manner there is a ground current flowing, indicating the possibility of an electric shock. Do not use the tub. Disconnect the power and have the problem corrected by a qualified service representative. Re-test the GFCI, only when it is operating properly may the whirlpool tub be used.
6. A terminal is provided on the exterior of most equipment. To reduce the risk of electric shock, connect this terminal to the grounding terminal of your electric service or supply panel with a conductor equivalent in size to the circuit conductors supplying this equipment.

Save These Instructions

INSTALLATION INSTRUCTIONS

- Read all instructions before proceeding with installation.
- Inspect the tub before installation. If any damage or defects are found, do not install the tub. If the tub is not the right size, model or color do not install the tub. Contact your Renaissance Tile & Bath showroom.
- INSTALLATION OF AN O'NEIL RUPPEL BATHTUB MUST MEET ALL APPLICABLE CODES AND REGULATIONS.

IMPORTANT-

All tub and systems are thoroughly tested and inspected at the factory prior to shipment. However, it is possible for damage to occur during shipment and installation. Such damage is not always readily visible. To maintain the warranty, it is important to water test the tub, integral overflow and thermal system a minimum of 30 minutes for leaks during rough inspection before enclosing the tub. Renaissance Tile & Bath is not responsible for the cost to remove/reinstall a tub.

USER MAINTENANCE INSTRUCTIONS

CARE AND CLEANING

To assure a long lasting “like new” look on your O’Neil Ruppel Collection bathtub we recommend the following easy care procedures:

- 1) For normal maintenance, especially after use, clean with a soft cloth or sponge and a mild soap or liquid detergent.
- 2) DO NOT USE abrasives such as scouring compounds, scouring pads, steel wool or harsh chemicals on your O’Neil Ruppel bathtub. For deeper stains, hard scale deposits or any other cleaning or maintenance problem, contact your O’Neil Ruppel dealer.

CLEANING INSTRUCTIONS

The O’Neil Ruppel Tubs are manufactured from High-Quality Stonite™, a blend of both organic minerals and the best in engineered composites. This blend combines a cast acrylic polymer for it’s benefits in durability and bonding strength, and ATH which is derived from Bauxite Ore. Bauxite is an aluminum ore, found mostly in tropical regions, and is the main source of aluminum. ATH is also natural fire-retardant. The nonporous surface is able to prevent dirt from gathering and withstands stains better than the other materials. To keep this high quality look on your O’Neil Ruppel tub, please follow these instructions:

MATTE FINISH

- Remove dust with a soft damp cloth, for example; microfiber or calico cloths.
- Clean surface with water and any mild detergent or dish soap.
- For a more difficult stain such as oil, paint, ink or grease clean with rubbing alcohol and dry with a soft cloth.
- Please do not use any sharp objects because that might result in scratching the surface of the tub.
- Use 180 grit wet/dry sandpaper and clean it with a soft scrub.

GLOSS FINISH

- Clean with mild dish soap and water, any non abrasive product to clean high-gloss counter surfaces will work.
- Remove dust with a soft damp cloth, for example; microfiber or calico cloths.
- Clean oil, paint, ink or grease with rubbing alcohol and dry with a soft cloth.
- Avoid using abrasive cleaners, it is not safe to use these on your glossed product.
- Please do not use any sharp objects because that might result in scratching the surface of the tub.

Please do not use anything else other than what was instructed. Improper use can result in damage to the tub or its finish and may void the warranty. Keep in mind, if you do end up damaging the tub, scratches can usually be removed, buffed or polished out by an Authorized Renaissance Tile & Bath Service Agent.

FREESTANDING INSTALLATION

(For exposed drain see Page 8)

FIGURE 1

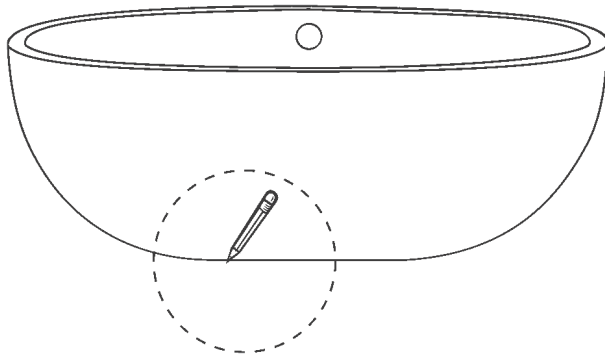


FIGURE 2

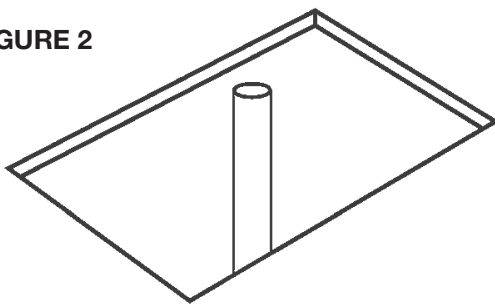


FIGURE 3

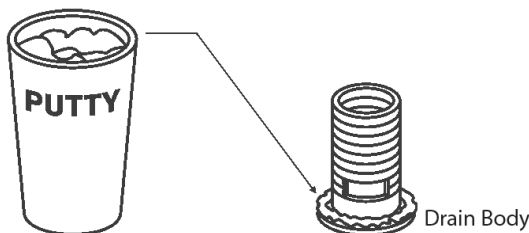
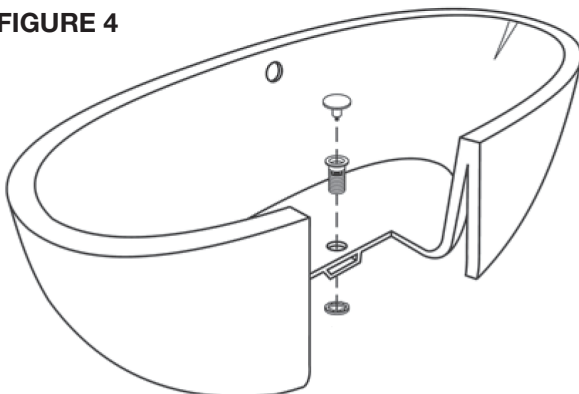


FIGURE 4



PREPARATION

1. Clean, level, and prepare the floor for installation.
2. Place the unit in the exact installed position on the floor and trace the outline of the bath with a pencil or any erasable marking (Figure 1). Templates for Freestanding bathtubs come with the tub.

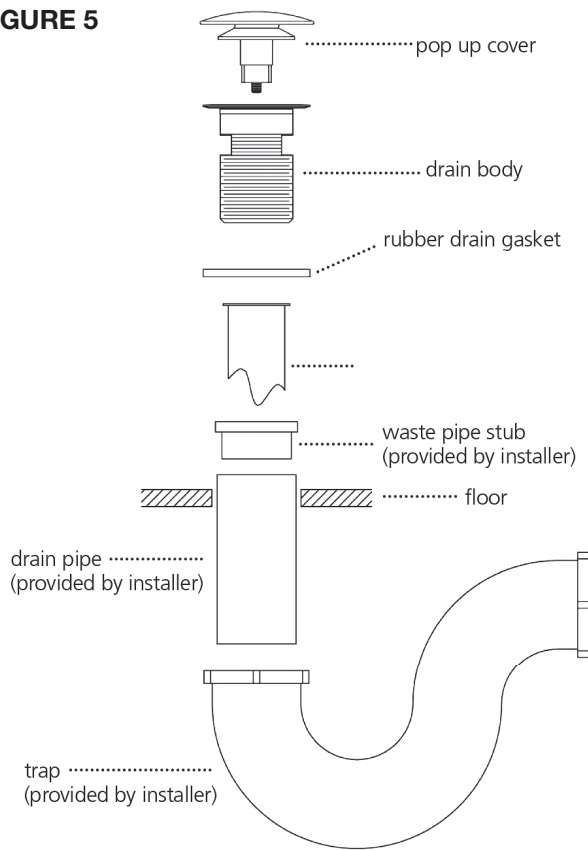
Note: Drain, waste locations, and trim options vary by model.

3. Determine the location of the drain pipe on the floor by taking measurements of the drain and waste location underneath the unit (Figure 2).
4. Using a blanket, cardboard, or other clean protective surface, turn the unit on its side so that the unit is properly supported during drain installation.
5. Clean the drain hole area in preparation of setting the drain. The area should be dry and free of any debris.

INSTALL DRAIN HARDWARE

6. Apply plumbers putty around the Drain Body and pass it through the drain hole (Figure 3).
7. Apply rubber gasket and slide it over the bottom of the Drain Body (Figure 3)
8. Slide the rubber washer over the drain body.
9. Attach the drain Body to the ABS/ PVC Shoe fitting and tighten until the Gasket has created a seal with the bottom of the bathtub. **DO NOT OVERTIGHTEN** (Figure 4).

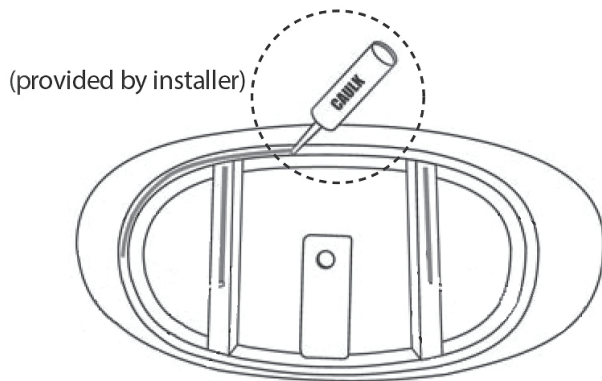
FIGURE 5



PREPARE TAIL PIECE

10. Drain waste vent must always be installed according to local standard. Verify the placement of the bathtub before drilling the hole for the drain waste vent.
11. Install 1 1/2" rubber slip gasket over the drain body.
12. Thread in shoe.
13. Glue shoe to tail piece.

FIGURE 6A



INSTALL BATHTUB

14. Apply generous bead of adhesive or silicone to the bottom of the tub supports (Figure 6A).
15. Then apply a bead of tub and tile caulk or silicone around the edge of the base (Figure 6B).

FIGURE 6B

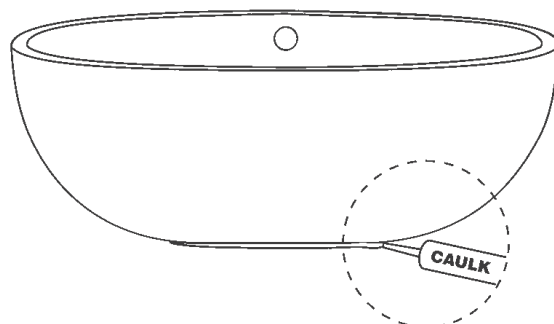
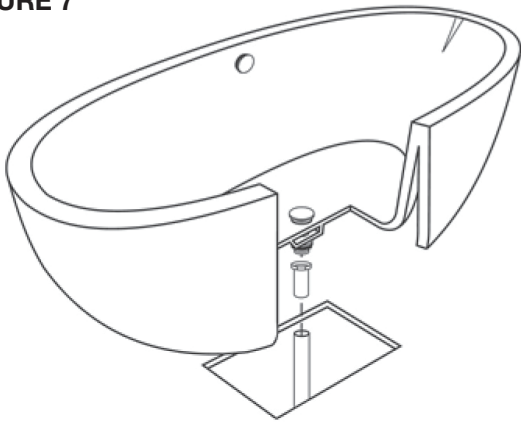
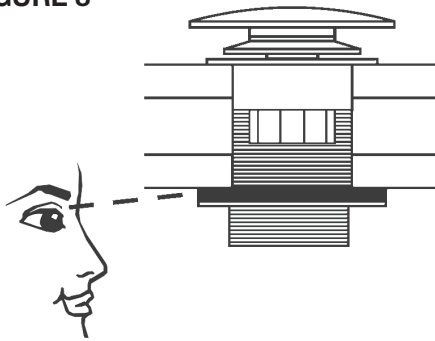


FIGURE 7



16. Carefully set tub into position (**Figure 7**) and connect the drain hardware (previously installed).

FIGURE 8



COMPLETE BATHTUB INSTALLATION

17. Fill tub with water to the overflow and then drain the tub while inspecting the waste connections below the floor for leaks. Access from below will be necessary for this step (**Figure 8**).

SUPPLEMENTAL INSTALLATION INFORMATION

FREE STANDING TUBS

GENERAL INFORMATION

- Rough In Dimensions – For critical dimensions, we suggest taking the measurements of the actual tub on site. All printed specifications are +/- 1/2 inch and subject to change without notice.
- The tub must be level

BASIC INSTALLATION PROCEDURE

- Determine final location of the tub. Tub will sit on top of finished flooring.
- Ensure location is structurally sound, flat and level.
- Align the tub in a manner that the drain lines up with the P-trap in the floor. DO NOT LET THE TUB REST ON THE DRAIN PLUMBING.
- Check the tub for level. It must be level end to end and side to side.
- Caulk the gap between the skirt and the floor.

THERMAL AIR

ELECTRICAL REQUIREMENTS:

WARNING: When using electrical products, basic precautions should always be followed, including the following:

DANGER: RISK OF ELECTRICAL SHOCK. Connect only to a circuit protected by a ground fault circuit interrupter. Grounding is required. All electrical connections should be made by a licensed electrician. Installation of O'Neil Ruppel bathtubs must meet all applicable codes and regulations. – 1 HP Blower - A dedicated 120v 20 amp GFCI protected electrical circuit is required for tubs with the standard 1 HP 120v Blower.

- Remote Mounting Blower – Due to the limited space between the inner and outer shell on all of The O'Neil Ruppel Collection Freestanding tubs, the blower must be remote mounted. In addition to the air pipe there is one electrical connections between the tub and the blower. The electrical connection and the air pipe exit through the bottom end of the bath. It is always desirable to remote mount the air blower as close to the tub as possible to minimize loss of heat. Pipe insulation may be used on the air line to minimize heat loss.
- It is not recommended that the blower be mounted over 8 feet away from the tub. The supplied wiring between the tub and the blower is approximately 10 feet long.
- Remote blower locations – There are several locations where the blower can be located. There must be a GFCI electrical outlet within 2 feet of the blower. The blower is approximately 9.25 inches long and 8 inches in diameter and 5" high. Substantial ventilation is required to keep the blower from overheating and to supply the large volume of air being sent to the tub. Never wrap insulation around the blower as this will cause the equipment to fail. The best location is directly below the tub in the floor joists. This location keeps the distance short and offers easy access from below. If the room below has a finished ceiling, there are many fixtures such as HVAC return that can be used to camouflage the access panel in the ceiling. Other possible locations include an adjacent closet, vanity or a same level attic. Every home is different and there may be other desirable locations. Keep in mind that the blower must be accessible for any future servicing.
- Remote Blower Kit – If the blower is not mounted directly adjacent to the tub, a remote blower kit will be required. The kit consists of: extension pipe, couplings and cable. Please indicate the necessary length of pipe and cable required.
- It is not recommended that the blower be mounted over 8 feet away from the tub. The supplied wiring between the tub and the blower is approximately 10 feet long.
- Remote blower locations – There are several locations where the blower can be located. There must be a GFCI electrical outlet within 2 feet of the blower. The blower is approximately 9.25 inches long and 8 inches in diameter and 5" high. Substantial ventilation is required to keep the blower from overheating and to supply the large volume of air being sent to the tub. Never wrap insulation around the blower as this will cause the equipment to fail. The best location is directly below the tub in the floor joists. This location keeps the distance short and offers easy access from below. If the room below has a finished ceiling, there are many fixtures such as HVAC return that can be used to camouflage the access panel in the ceiling. Other possible locations include an adjacent closet, vanity or a same level attic. Every home is different and there may be other desirable locations. Keep in mind that the blower must be accessible for any future servicing.
- Remote Blower Kit – If the blower is not mounted directly adjacent to the tub, a remote blower kit will be required. The kit consists of: extension pipe, couplings and cable. Please indicate the necessary length of pipe and cable required.

FIXTURES

- No Fixtures can be mounted on the tub deck. Floor and wall-mounted fixtures are required.
- Wall-Mounted – The position of the tub and the reach of the spout are critical. Pay special attention to the spout reach when choosing your fixtures. Be careful to ensure the spout will extend out far enough to clear the tub deck and the falling water will not hit too high up the side wall of the tub and splash.
- Floor-Mounted – Some freestanding fixtures must be anchored to the tub drain for stabilization.

TOWER

A Tower can be added to any of our O'Neil Ruppel Bathtubs allowing you to use traditional Roman faucets.

WASTE AND OVERFLOW

The O'Neil Ruppel collection offers integral waste and overflow on all models. Use care when selecting your drain kit. The O'Neil Ruppel Collection offers toe tap hardware standard.



INSTALLATION INSTRUCTIONS FOR SOAKING WITHOUT PEDESTAL

Note: This is a sub floor drain. Access from below tub is recommended for installation. If there is no access from below, the installation is more difficult. Clearance for the drain will be required and the floor near the overflow will need to be completed after the drain is installed. See picture below. Drain kit parts breakout is shown in illustration to the right.

Renaissance Tile & Bath recommends using clear 100% silicone sealant, DO NOT use plumber's putty.

- 1) Place the tub in the exact position of final installation. The bathtub cannot be repositioned once it is plumbed and installed. The tub is designed to sit on top of the finished floor, however, you may need to leave an area by the drain open until installation of the drain is complete.
- 2) Ensure location is structurally sound, flat and level.
- 3) Elevate the tub to allow access to the bottom of the tub from the drain to the overflow area. The tub is very heavy; use appropriate supports.

- 4) Temporarily “dry fit” the drain kit and trim the pipes to proper length. Note the distance from the edge of the tub to the center of the overflow pipe. This measurement will be used to verify the location of the hole in the floor for the overflow pipe. Also see rough-in dimensions on previous page.
- 5) Remove the drain kit from the tub.
- 6) Use emery cloth, grinder or wire brush to remove the plated finish from the pipe where it will be soldered to the ‘tee’.
- 7) Provide opening in floor below drain of approximately 6” x 6”. This will be completely covered by the tub.
- 8) Install tub in precise location desired. Use only 100% clear silicone to adhere tub to floor.
- 9) Using the distance noted in step #4, drill hole in floor for overflow pipe.
- 10) Re-assemble drain kit on tub using clear silicone under drain strainer. Remove excess silicone immediately. Tighten waste flange assembly and ferrule until seated plus 1/4 turn. Remember to install bell flange on overflow pipe. Slide the bell flange high up on the overflow pipe to avoid heat damage during the next step.
- 11) Carefully solder connections at brass ‘tee’. Wrap a wet rag around overflow pipe to prevent the heat from damaging the plating. Always use proper heat shielding to protect the surrounding materials.
- 12) Connect the ‘P-trap’ to the drain kit.
- 13) Use clear silicone to seal the gap between the overflow pipe and the floor. Lower bell flange to the floor. Attach overflow cover and thread stopper assembly into waste flange.
Fill tub to overflow and allow water to stand for 30 minutes. Check carefully for any leaks. NOTE: The overflow is a plumbing device designed to prevent water from reaching a certain level in your tub. DO NOT, under any circumstances, tape off or block the overflow in any way

Renaissance Tile & Bath does not warrant leaks associated with improper drain installation and will not be responsible for any costs involved with removing or reinstalling the tub. Failure to properly check floor for level will result in improper draining of the bath. Renaissance Tile & Bath will not cover cost of damage caused by improper drain installation. If you need assistance, please call your Renaissance Tile & Bath showroom.

LIMITED WARRANTY

This limited warranty is extended to the first user or the original retail purchaser for a period of Ten (10) Years on the Bathtub, 5 Years on Electronics and 2 years on the air channel, plumbing, and labor to replace electronics or any other repair that is covered from date of purchase, and is not enforceable by any other party. RENAISSANCE TILE & BATH, INC. warrants that the system and/or bathtub is free from defects in the workmanship and/or materials.

This limited warranty does not include any other items not manufactured by RENAISSANCE TILE & BATH, INC. RENAISSANCE TILE & BATH, INC. does not assume liability for the finish or the wearing quality of any plated product. No dealer or other person has any authority to make any warranties or representations concerning RENAISSANCE TILE & BATH, INC. or its products.

Accordingly, RENAISSANCE TILE & BATH, INC. is not responsible for any such warranties or representations. THERE ARE NO WARRANTIES BEYOND THE DESCRIPTION ON THE FACE HEREOF. NO WARRANTY OF MERCHANTABILITY, FITNESS, NOR OTHER WARRANTY (WHETHER EXPRESS, IMPLIED OR STATUTORY) IS MADE BY RENAISSANCE TILE & BATH, INC., EXCEPT THAT IT WARRANTS THE GOODS TO BE FREE FROM DEFECTS IN MATERIALS AND WORKMANSHIP IN NORMAL USE AND SERVICE AS DESCRIBED ON THE FACE HEREOF.

WARRANTY OBLIGATIONS OF RENAISSANCE TILE & BATH, INC.:

Should a defect in workmanship and/or material in any item covered by this warranty become evident during the term of the warranty, then upon the consumer following the procedures set forth below, RENAISSANCE TILE & BATH, INC. at its opinion, will repair or replace such item at its own cost and expense. RENAISSANCE TILE & BATH, INC. is not, however, responsible under this warranty for any cost of shipping or transportation or the equipment or parts thereof to or from the Service Department. Also, RENAISSANCE TILE & BATH, INC. is not liable for any loss of time, inconvenience, incidental expenses such as telephone calls, labor or material charges incurred in connection with the removal or the replacement of the equipment, or any other incidental or consequential damages, unless otherwise prohibited by applicable State law.

PROCEDURES TO BE FOLLOWED TO OBTAIN WARRANTY SERVICE:

- 1) Upon discovery of any defect or malfunction, notify the supplier/installer and RENAISSANCE TILE & BATH, INC. Service Department, 29132 Avenue Paine, Valencia, Ca. 91355 Telephone: (661) 775-0686, within (10) ten days and include a description of the malfunction or defect, the O'Neil Ruppel distributors name and purchase order number or the 5 digit bathtub serial number. The bathtub serial number can be found on the warranty card or on the model card located on the underside of the bathtub.
- 2) Upon inspection, RENAISSANCE TILE & BATH, INC. at its option will repair or replace any defective or malfunctioning part of its system or bathtub. If repairs cannot be made on site, RENAISSANCE TILE & BATH, INC. at its opinion will repair or replace at the factory. However, the cost of removal or installation of a replacement system and cost of transportation to and from RENAISSANCE TILE & BATH, INC. are not covered. All parts, labor and materials necessary to repair the system or bathtub are covered except parts excluded below.

EXCLUSIONS – THIS WARRANTY DOES NOT COVER:

- 1) Any items manufactured by other companies and installed by RENAISSANCE TILE & BATH, INC. such items may carry warranties offered by the manufactures of the original items.
- 2) Problems resulting from failure to comply with installation instructions or drawings, or improper installation.
- 3) Problems resulting from abuse, misuse, negligence or accident by any party other than RENAISSANCE TILE & BATH, INC. such as, but not limited to, damage to parts by installers.
- 4) Problems resulting in whole or part from alteration or modification of these products by any party.
- 5) Metal failures due to chemical corrosion.

This warranty is provided to you as part of your purchase order. It gives you specific legal rights you should keep in a safe place along with your purchase order.



U.L. LISTED –
Pump



U.L. LISTED –
Hydromassage
Bathtubs



IAPMO LISTED –
Uniform Swimming Pool,
Spa & Hot Tub Code



IAPMO LISTED –
Uniform Plumbing Code

O'NEIL RUPPEL
Luxury Bath Fittings and Bespoke Faucetry

ATLANTA 404.231.9203
CHARLOTTE 704.372.1575
CHICAGO 312.467.9590

DALLAS 214.571.9867
NASHVILLE 615.742.0054
WASHINGTON DC 703.549.7806

ONEILRUPPEL.COM
RENAISSANCETILEANDBATH.COM