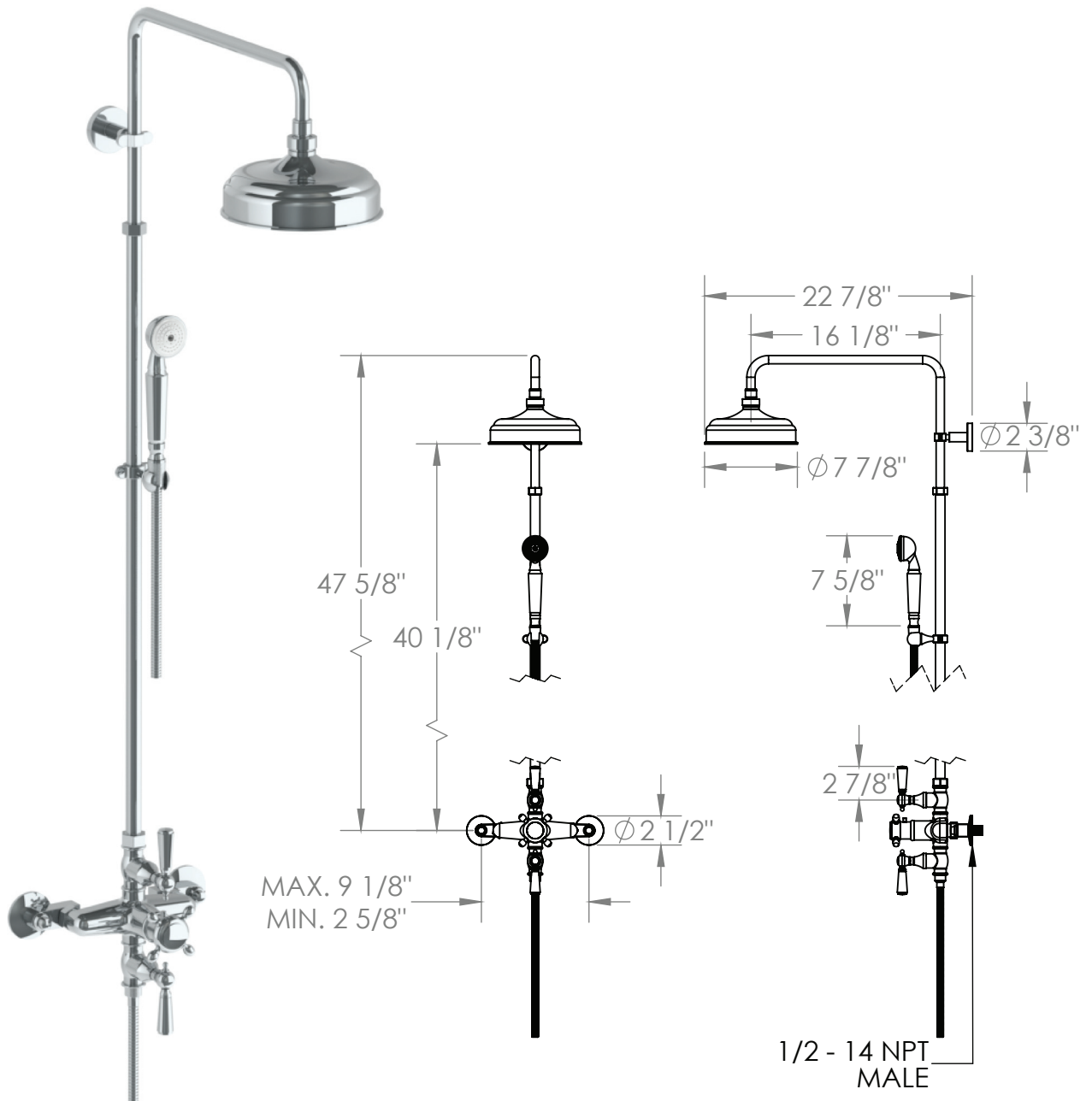


Claire



ORW-CL-EX8500-CLR4

WALL MOUNTED EXPOSED THERMOSTATIC SHOWER SET WITH HAND SHOWER
 SHOWER/HAND SHOWER FLOW RATE: 1.75 GPM



Meets the applicable requirements of ASME A112.18.1-2005/CSA B125.1-05, entitled "Plumbing Supply Fittings"