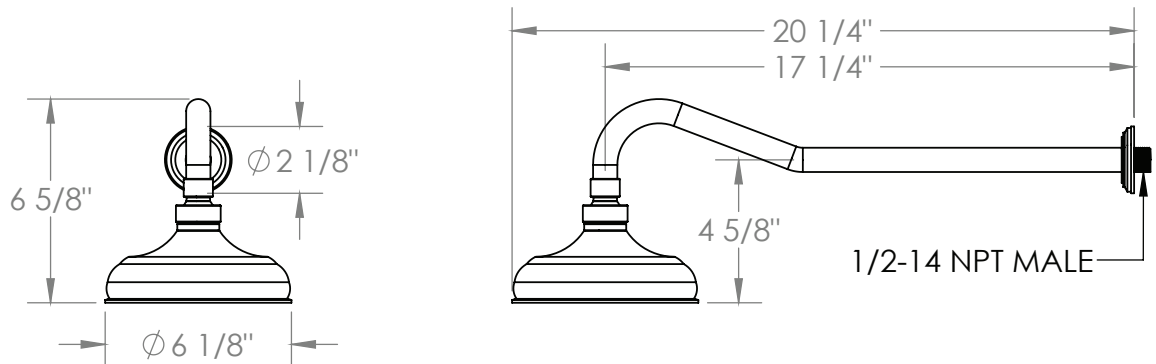


# Claire



ORW-CL-HAF.1

WALL MOUNTED SHOWERHEAD WITH 17 1/2" ARM & FLANGE  
 SUPPLY CONNECTION TYPE: 1/2" NPT MALE  
 FLOW RATE: 1.75 GPM



Meets the applicable requirements of ASME A112.18.1-2005/CSA B125.1-05, entitled "Plumbing Supply Fittings"