

Claire

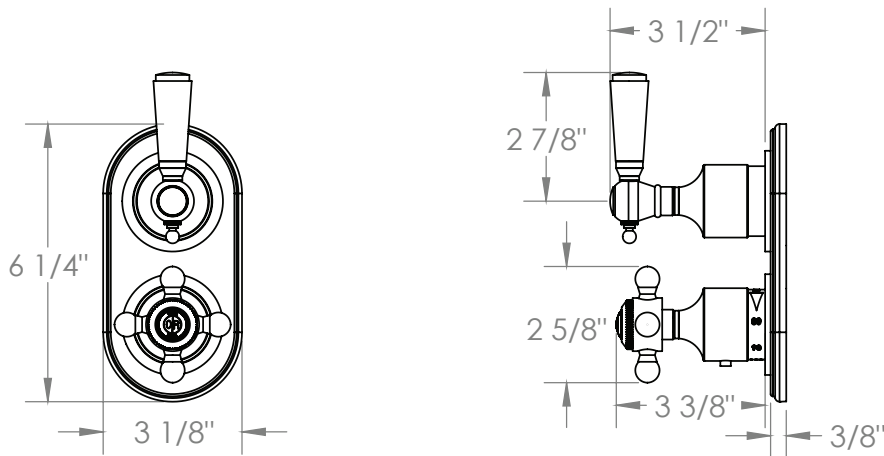
ORW-CL-T25-CLR5



WALL MOUNTED THERMOSTATIC SHOWER TRIM WITH BUILT-IN CONTROL FOR USE WITH ORW-SS-TH60 OR ORW-SS-TH70 CONCEALED ROUGH



USE WITH ORW-SS-TH80
3-WAY DIVERTER



Meets the applicable requirements of ASME A112.18.1-2005/CSA B125.1-05, entitled "Plumbing Supply Fittings"