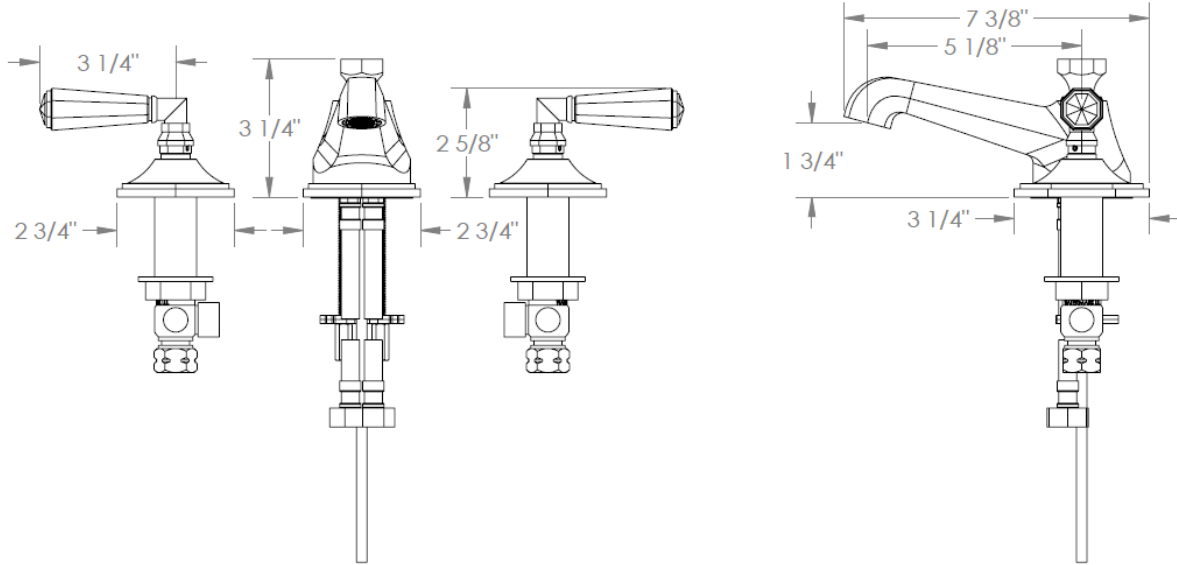


### FEATURES

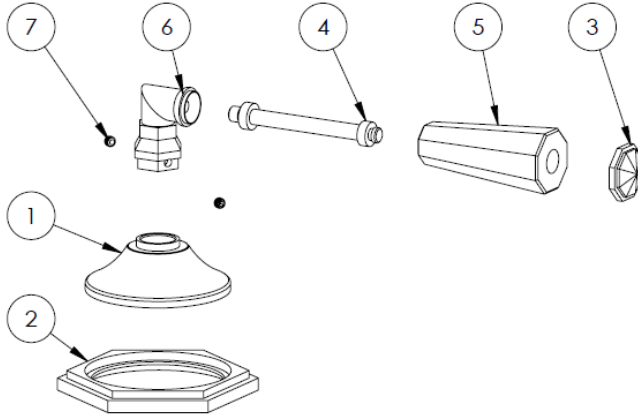
- ¼ turn washerless ceramic disc valve cartridges
- Flexible hose connection for 8" to 16" spread installations
- Flow rate 1.25gpm (4.7lpm) maximum flow rate
- Solid brass construction
- Warranty:
  - Limited lifetime warranty (residential use)
  - One year (commercial use)
- Shipping weight (lbs.) 10
- Shipping dimensions (in.): 29x12x4



ITEM NO.	PART NUMBER	QTY.
1	312-2-SPT	1
2	SPT-MNTNG-KIT-2-RBBR-WSHR	1
3	SPT-MNTNG-KIT-2-WSHR	1
4	SPT-MNTNG-KIT-1-NUT	2
5	SPT-MNTNG-KIT-1-SCRW	2
6	SPPLY-HOSE-0.5-14-NPS	2
7	501-LIFT-ROD	1
8	AS568 - 9	1
9	NEOPERL CACHE STD 1.2 GPM (40.2260.010)	1
10	205-2-BASE-RING	1
11	205-2-SPT-BASE-GSKT (D1R079N)	1
12	KB-314-AD	1
13	CRT-502 (HOT)	1
14	CRT-502 (COLD)	1
15	SS-502-VALVE-BODY	2
16	502-PLSTC-LOCK-NUT	2
17	502-COMP-NUT	2

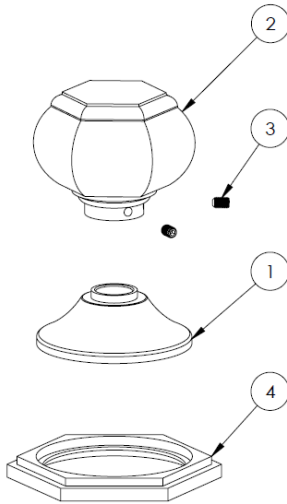
### HANDLE TRIM

#### CODE: ADCRY4



ITEM NO.	PART NUMBER	QTY.
1	ORW-AD-ESC	1
2	205-2-BASE-RING	1
3	CRY4-LVR-END	1
4	CRY4-LVR-SHFT	1
5	CRY4-CRSTL-LVR-INSRT	1
6	Y-POST	1
7	socket set screw cup point_ai	2

#### CODE: ADT6



ITEM NO.	PART NUMBER	QTY.
1	ORW-AD-ESC	1
2	T6-KNOB	1
3	socket set screw cup point_ai	2
4	205-2-BASE-RING	1

#### **IMPORTANT INSTALLATION INFORMATION**

- USE TEFLON TAPE OR PIPE SEALANT FOR THREADED CONNECTIONS
- DO NOT USE PLUMBER'S PUTTY ON ANY OF THE BRASS COMPONENTS  
This will cause the finish to tarnish and void the warranty. A non-corrosive Alkoxy Silicone is recommended.
- DURING SWEATING OF LINES DO NOT OVERHEAT CASTING  
Overheating may cause damage to internal mechanism
- COPPER ADAPTORS MAY BE REQUIRED TO COMPLETE YOUR INSTALLATION

**For technical support, please call 888-401-1900**