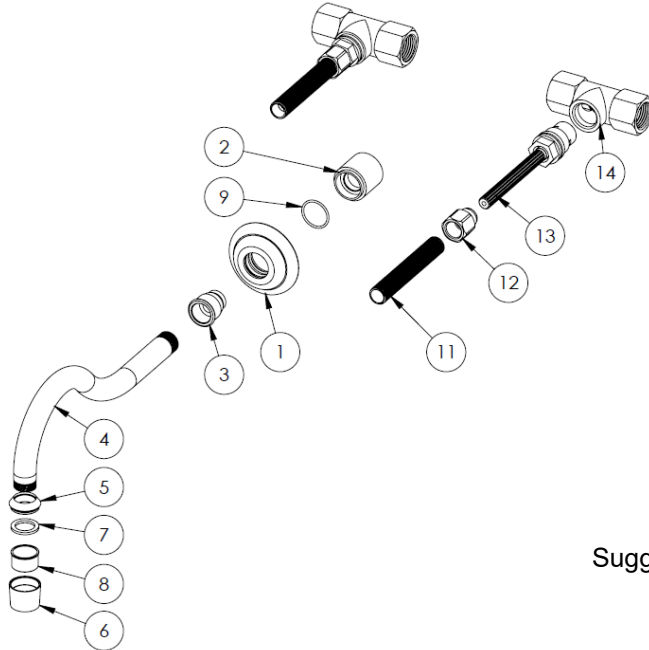


FEATURES

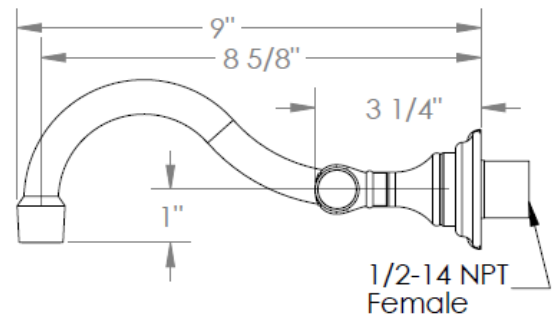
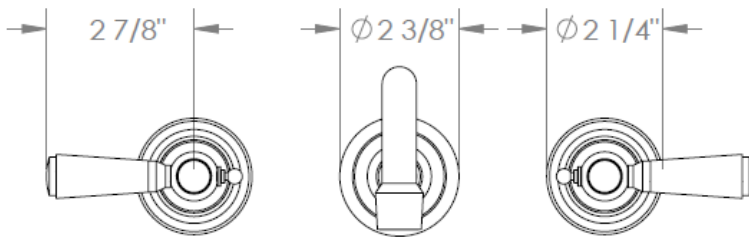
- ¼ turn washerless ceramic disc valve cartridges
- Flow rate 1.2 gpm (4.5 lpm) maximum flow rate
- Solid brass construction (Lead free brass spout)

- Warranty:
 - Limited lifetime warranty (residential use)
 - One year (commercial use)

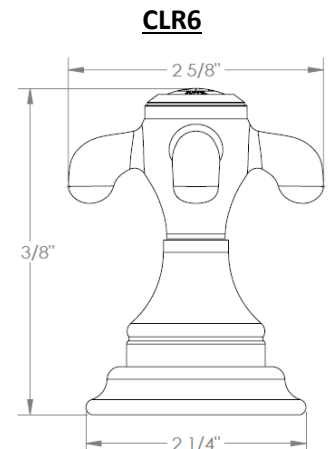
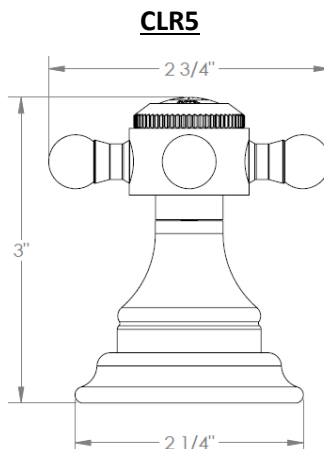
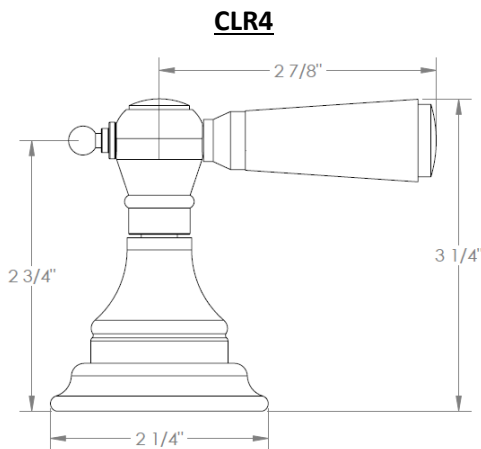
ITEM NO.	PART NUMBER	QTY.
1	206-2.2-BASE-RING	1
2	206-2.2-NPPL-ADAP	1
3	206-2.2-SPT-ADAP	1
4	206-2.2M-SPT	1
5	206-2-AERTR-ADAP	1
6	206-2-AERTR-SHLL	1
7	BW.7134.1 (.825 x .590 x .072) [STD]	1
8	NEOPERL PCA PL STD 1.2 GPM (40.2060.000)	1
9	AS568 - 019	2
10	206-2.2-SPT-ADAP-SPCR	1
11	SS-TS200-NPPL	2
12	SS-TS150-PKNG-NUT	2
13	CRT503 Cold/Hot	2
14	SS-TS200 BODY	2



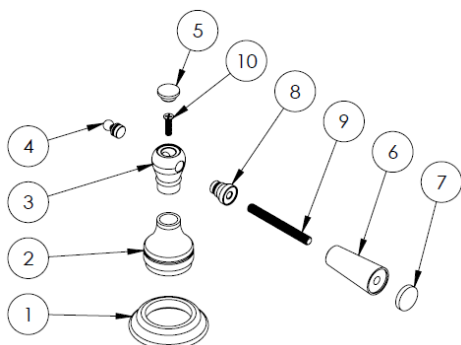
Suggested distance from tip of valve stem to finish wall is 2-3/8".



Handle Trims

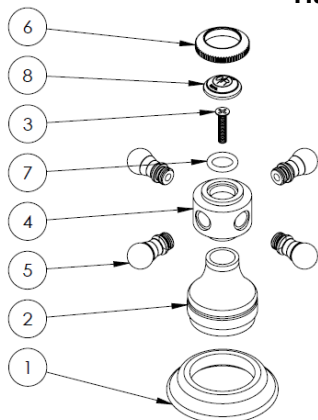


Handle Trim Code: CLR4



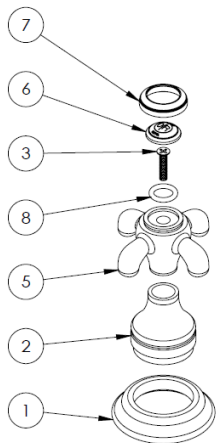
ITEM NO.	PART NUMBER	QTY.
1	CLR-ESC-ESC-RING	1
2	CLR-ESC	1
3	I-POST	1
4	CLR-POST-PEG	1
5	A-POST-CAP	1
6	BB6-LVR-INSRT	1
7	H4-LVR-END	1
8	S3-POST-INSRT	1
9	.25-20x2.375-THRD-ROD	1
10	flat head 100 screw_ai	1

Handle Trim Code: CLR5



ITEM NO.	PART NUMBER	QTY.
1	CLR-ESC-ESC-RING	1
2	CLR-ESC	1
3	flat head 100 screw_ai	1
4	X-POST	1
5	X-ARM	4
6	X-CAP-RING	1
7	AS568 - 111	1
8	X-PRCLN-INSRT-HOT	1

Handle Trim Code: CLR6



ITEM NO.	PART NUMBER	QTY.
1	CLR-ESC-ESC-RING	1
2	CLR-ESC	1
3	flat head 100 screw_ai	1
4	CL16-TOP-LOCK-NUT-LONG	1
5	CLR6-CRSS-HNDL	1
6	X-PRCLN-INSRT-HOT	1
7	MR4-CAP-RING	1
8	AS568 - 111	1

IMPORTANT INSTALLATION INFORMATION

- USE TEFLON TAPE OR PIPE SEALANT FOR THREADED CONNECTIONS.
- DO NOT USE PLUMBER'S PUTTY ON ANY OF THE BRASS COMPONENTS
This will cause the finish to tarnish and void the warranty. A non-corrosive Alkoxy Silicone is recommended.
- DURING SWEATING OF LINES DO NOT OVERHEAT CASTING.
Overheating may cause damage to internal mechanism.
- COPPER ADAPTERS MAY BE REQUIRED TO COMPLETE YOUR INSTALLATION.

For technical support, please call 888-401-1900.