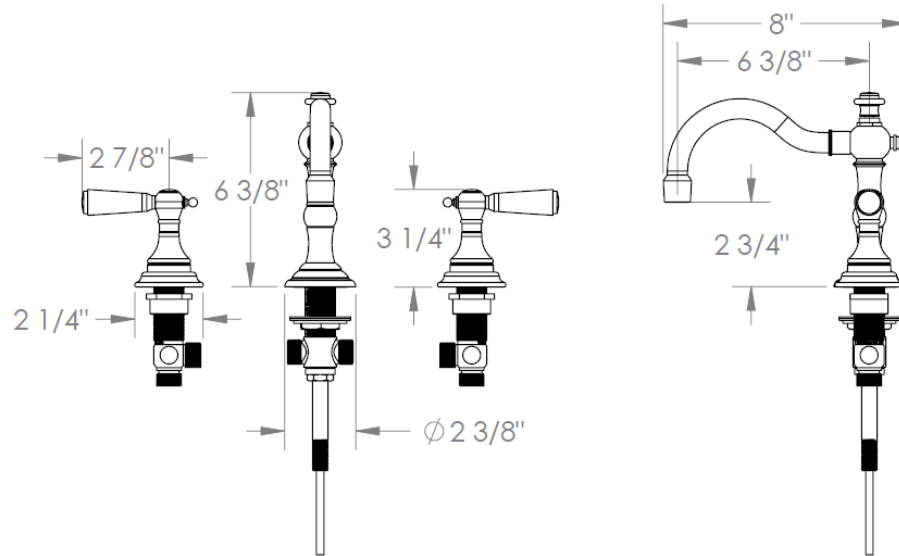


FEATURES

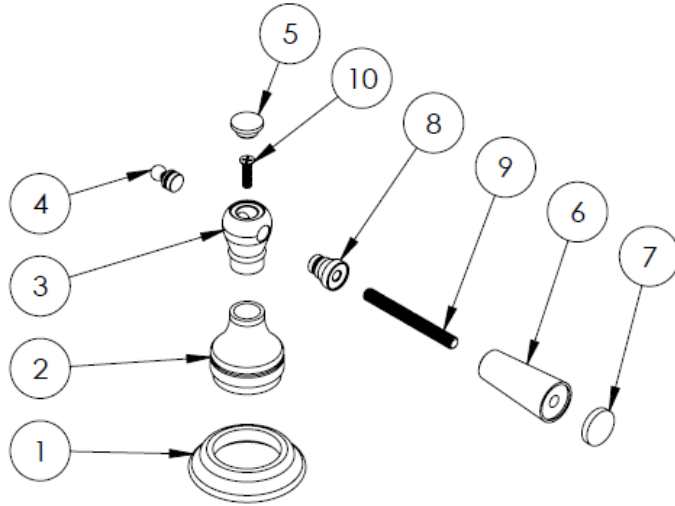
- ¼ turn washerless ceramic disc valve cartridges
- Flexible hose connection for 8" to 16" spread installations
- Flow rate 1.25gpm (4.7lpm) maximum flow rate
- Solid brass construction
- Warranty:
 - Limited lifetime warranty (residential use)
 - One year (commercial use)
- Shipping weight (lbs.) 10
- Shipping dimensions (in.): 29x12x4



ITEM NO.	PART NUMBER	QTY.
1	CRT-502 (HOT)	1
2	CRT-502 (COLD)	1
3	SS-502-VALVE-BODY	2
4	502-PLSTC-LOCK-NUT	2
5	502-COMP-NUT	2
6	502-FLEX-HOSE	2
7	ORW-CL-2-POST	1
8	206-2-TOP-NUT	1
9	206-2-SPT-ADAP	1
10	206-2-SPT	1
11	206-2-AERTR-ADAP	1
12	206-2-AERTR-SHLL	1
13	206-2-INNR-NPPL	1
14	502-TEE	1
15	501-HEX-NUT	1
16	502-LOCK-NUT	1
17	NEOPERL PCA PL STD 1.2 GPM (40.2060.000)	1
18	BW.7134.1 (.825 x .590 x .072) [STD]	1
19	206-2-LIFT-ROD	1
20	KB-2062	1
21	AS568 - 015	2
22	AS568 - 007	1
23	206-2-BASE-GSKT (D1R084N)	1
24	502-RBBR-GSKT (D1R042N)	1
25	502-PLSTC-WSHR (D1S003N)	1
26	AS568 - 206	1
27	502-TEE-WSHR (D1S426N)	1
28	17.8X2-ORING	1
29	206-2EX-OUTR-NPPL	1
30	CL-2-SPT-PEG	1

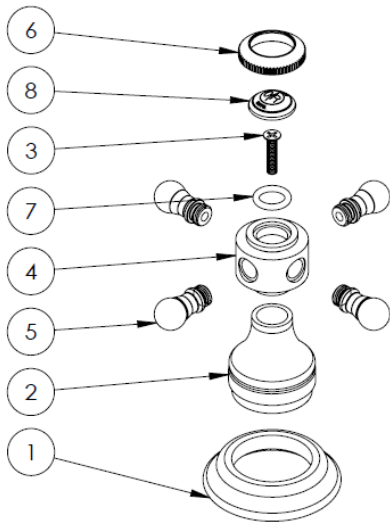
HANDLE TRIM

CODE: CLR4



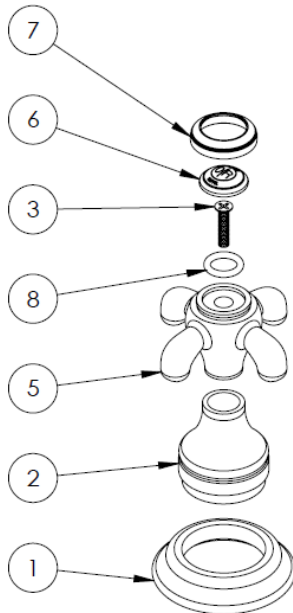
ITEM NO.	PART NUMBER	QTY.
1	CLR-ESC-ESC-RING	1
2	CLR-ESC	1
3	I-POST	1
4	CLR-POST-PEG	1
5	A-POST-CAP	1
6	BB6-LVR-INSRT	1
7	H4-LVR-END	1
8	S3-POST-INSRT	1
9	.25-20x2.375-THRD-ROD	1
10	flat head 100 screw_ai	1

CODE: CLR5



ITEM NO.	PART NUMBER	QTY.
1	CLR-ESC-ESC-RING	1
2	CLR-ESC	1
3	flat head 100 screw_ai	1
4	X-POST	1
5	X-ARM	4
6	X-CAP-RING	1
7	AS568 - 111	1
8	X-PRCLN-INSRT-HOT	1

CODE: CLR6



ITEM NO.	PART NUMBER	QTY.
1	CLR-ESC-ESC-RING	1
2	CLR-ESC	1
3	flat head 100 screw_ai	1
4	CL16-TOP-LOCK-NUT-LONG	1
5	CLR6-CRSS-HNDL	1
6	X-PRCLN-INSRT-HOT	1
7	MR4-CAP-RING	1
8	AS568 - 111	1

IMPORTANT INSTALLATION INFORMATION

- USE TEFLON TAPE OR PIPE SEALANT FOR THREADED CONNECTIONS
- DO NOT USE PLUMBER'S PUTTY ON ANY OF THE BRASS COMPONENTS
This will cause the finish to tarnish and void the warranty. A non-corrosive Alkoxy Silicone is recommended.
- DURING SWEATING OF LINES DO NOT OVERHEAT CASTING
Overheating may cause damage to internal mechanism
- COPPER ADAPTORS MAY BE REQUIRED TO COMPLETE YOUR INSTALLATION

For technical support, please call 888-401-1900

Rev. 1/1