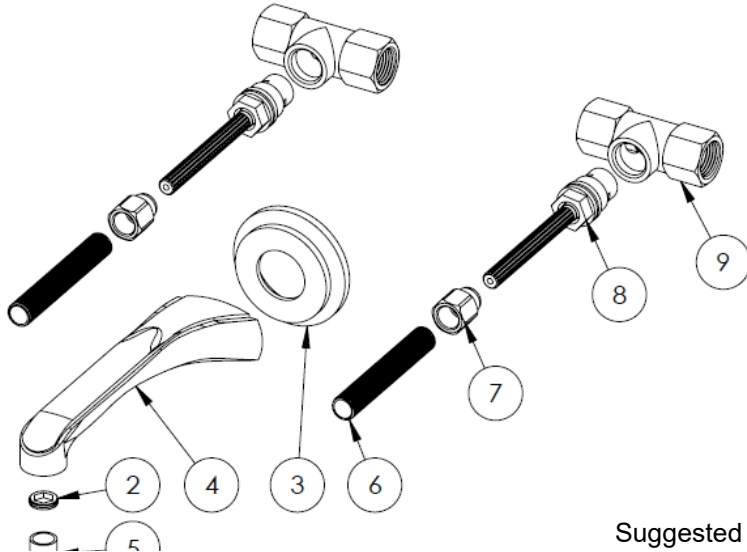


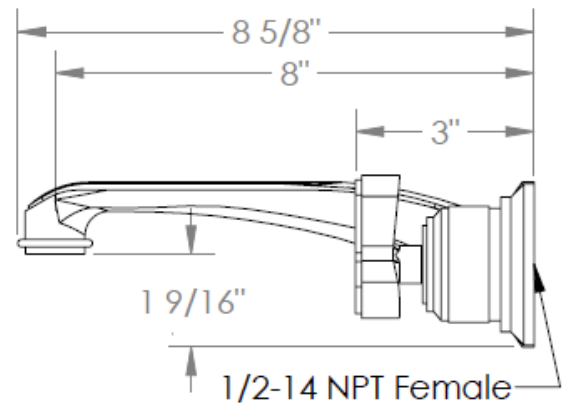
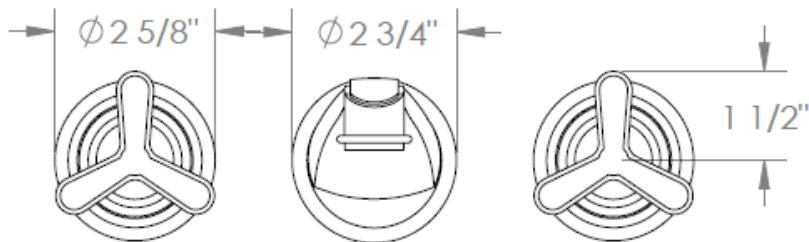
FEATURES

- ¼ turn washerless ceramic disc valve cartridges
- Flow rate 1.2 gpm (4.5 lpm) maximum flow rate
- Solid brass construction (Lead free brass spout)
- Warranty:
 - Limited lifetime warranty (residential use)
 - One year (commercial use)

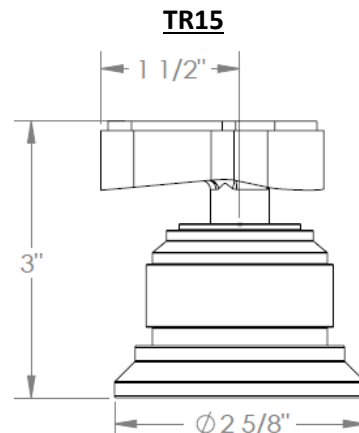
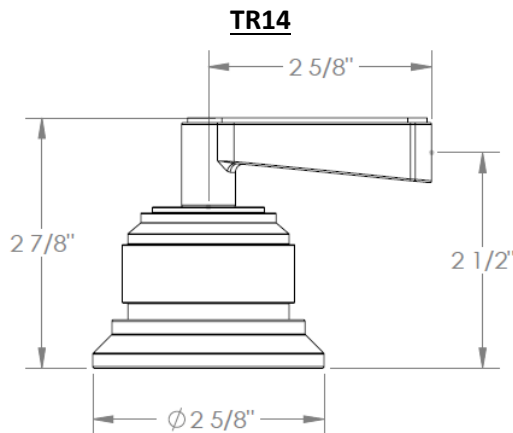


ITEM NO.	PART NUMBER	QTY.
1	29-2.2-NOSE-RING	1
2	29-2.2-SPT-AERTR-INSRT	1
3	29-2.2-SPT-BASE	1
4	29-2.2-SPT	1
5	Neoperl PCA Perlator TT - 1.5 GPM 44.3056.000	1
6	SS-TS200-NPPL	2
7	SS-TS150-PKNG-NUT	2
8	CRT503 Cold/Hot	2
9	SS-TS200 BODY	2

Suggested distance from tip of valve stem to finish wall is 2-5/8".



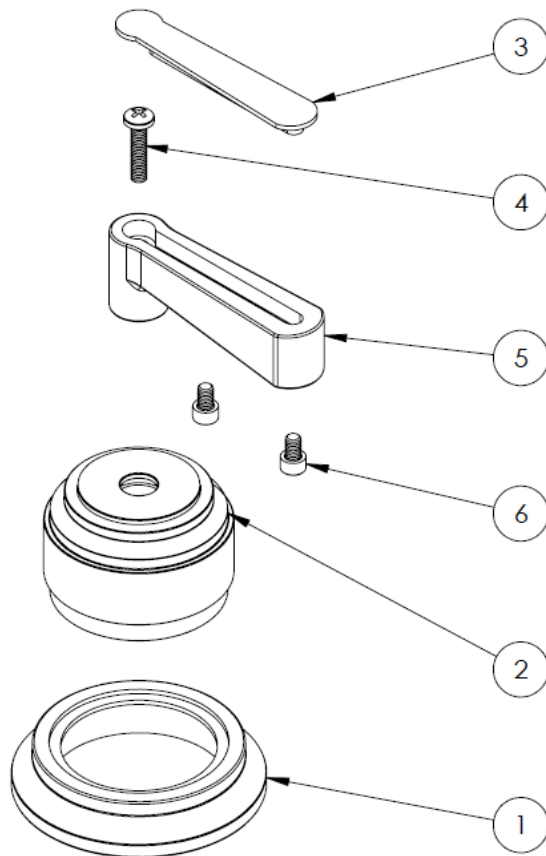
Handle Trims



Handle Trim Code: TR14

ITEM NO.	PART NUMBER	QTY.
1	TR14-ESC-RING	1
2	TR14-ESC	1
3	TR14-LVR-CAP	1
4	CR-PHMS 0.164-32x0.75x0.75-S	1
5	TR14-LVR-BTM_R1	1
6	HX-SHCS 0.164-32x0.25x0.25-S	2

HNDL: 3, 4 & 5

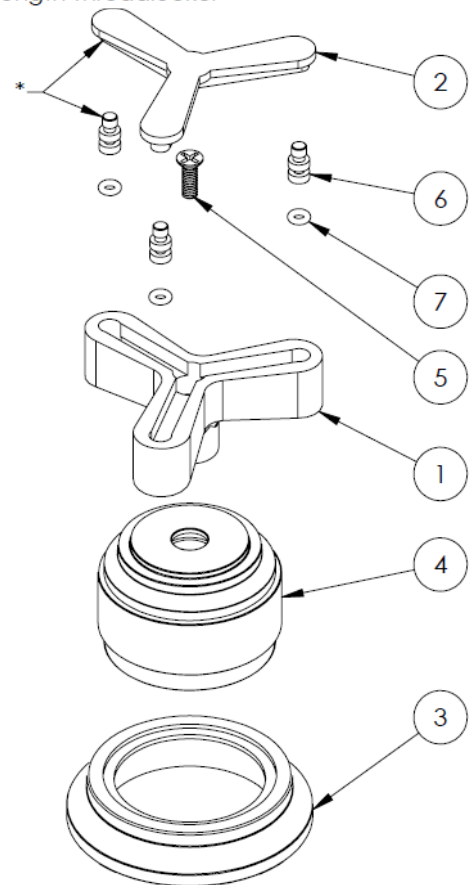


Handle Trim Code: TR15

ITEM NO.	PART NUMBER	QTY.
1	TR15-CRSS-HNDL-BTMM	1
2	TR15-CRSS-HNDL-CAP	1
3	TR14-ESC-RING	1
4	TR14-ESC	1
5	CR-FHMS 0.164-32x0.5x0.5-S	1
6	TR14-CAP-INSRT	3
7	AS568 - 006	3

HNDL: 1, 2, 5, 6 & 7

* - High Strength Threadlocker



IMPORTANT INSTALLATION INFORMATION

- USE TEFLON TAPE OR PIPE SEALANT FOR THREADED CONNECTIONS.
- DO NOT USE PLUMBER'S PUTTY ON ANY OF THE BRASS COMPONENTS
This will cause the finish to tarnish and void the warranty. A non-corrosive Alkoxy Silicone is recommended.
- DURING SWEATING OF LINES DO NOT OVERHEAT CASTING.
Overheating may cause damage to internal mechanism.
- COPPER ADAPTERS MAY BE REQUIRED TO COMPLETE YOUR INSTALLATION.

For technical support, please call 888-401-1900.